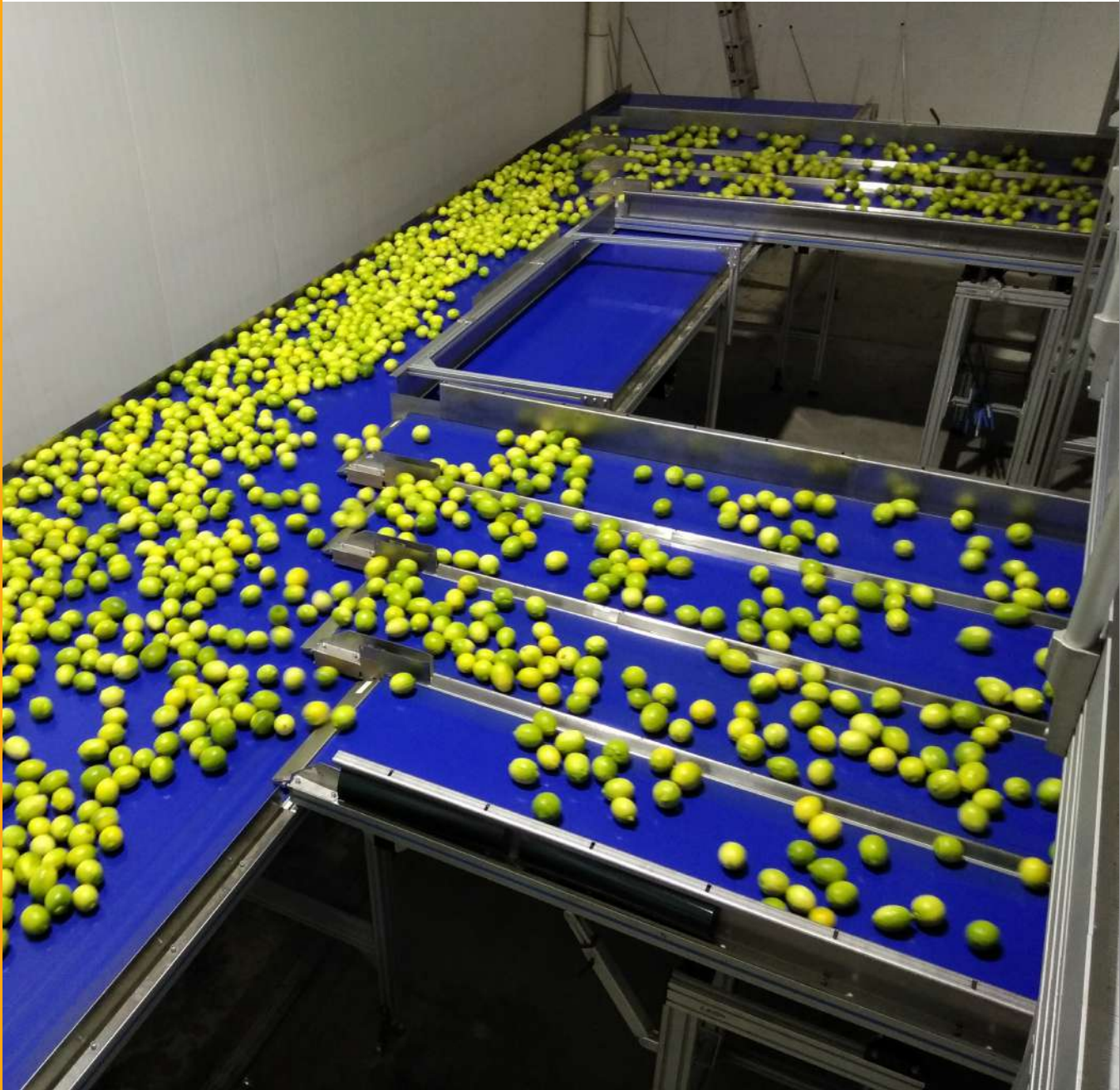


Modular Conveyor System

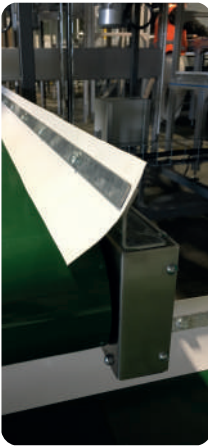
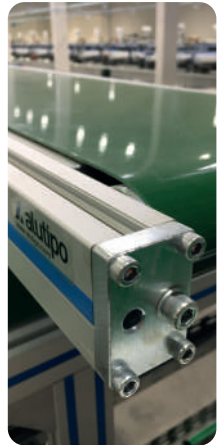
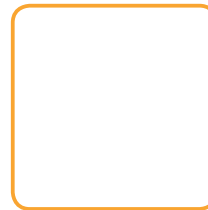
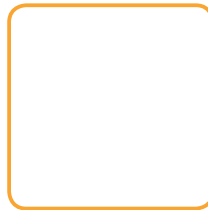
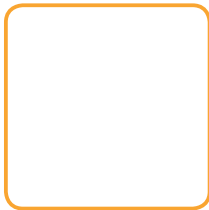
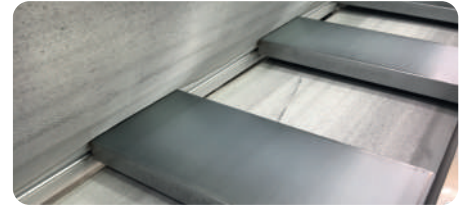
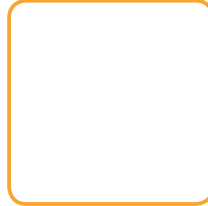
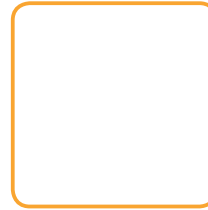
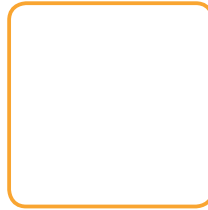


Sistema de Transportadores Modulares
Modular Conveyor System



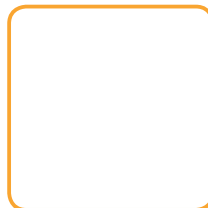
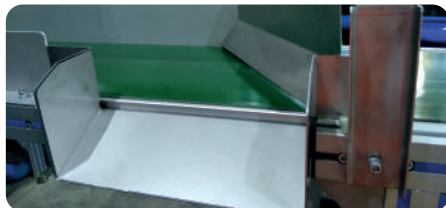
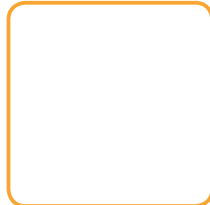


Sistema de Transportadores Modulares
Modular Conveyor System



Sistema de Transportadores Modulares

Modular Conveyor System



Indice de Productos / Product Index

Transportadores de Banda <i>Belt Conveyors</i>	<hr/>	
	Especificaciones Técnicas / <i>Technical Specs</i>	Page 01
	Transportadores de Banda Serie PG1050 <i>PG1050 Belt Conveyor Series</i>	Page 02-03
	Transportadores de Banda Serie PG4060 <i>PG4060 Belt Conveyor Series</i>	Page 04-05
	Transportadores de Banda Serie PG25120 <i>PG25120 Belt Conveyor Series</i>	Page 06
	Tipos de Barandas / <i>Guardrail Types</i>	Page 07
	Tipos de Bandas y Motores / <i>Belt and Motor Types</i>	Page 08
Transportadores de Rodillos <i>Roller Conveyors</i>	<hr/>	
	Transportadores de Rodillos por Gravedad <i>Gravity Roller Conveyors</i>	Page 09

Transportadores de Banda / Especificaciones Técnicas

Belt Conveyors / Technical Specs

Los sistemas MCS son usados comunmente debido a su versatilidad y excelente calidad. El producto es transportado directamente sobre la banda, por lo que los objetos pueden tener forma regular o irregular. La estructura construida en aluminio es simple, robusta, y de buena terminación y durabilidad.

The MCS systems are commonly used due to its versatility and excelent quality. The product is conveyed directly on top of the belt therefore the objects can be of any regular or irregular shape. The aluminium frame is simple, robust, and has great finishing and durability.

- Los Transportadores de Banda están organizados en tres series diferentes / *Belt Conveyors are arranged in three different series:*
 - PG1050 series
 - PG4060 series
 - PG25120 series

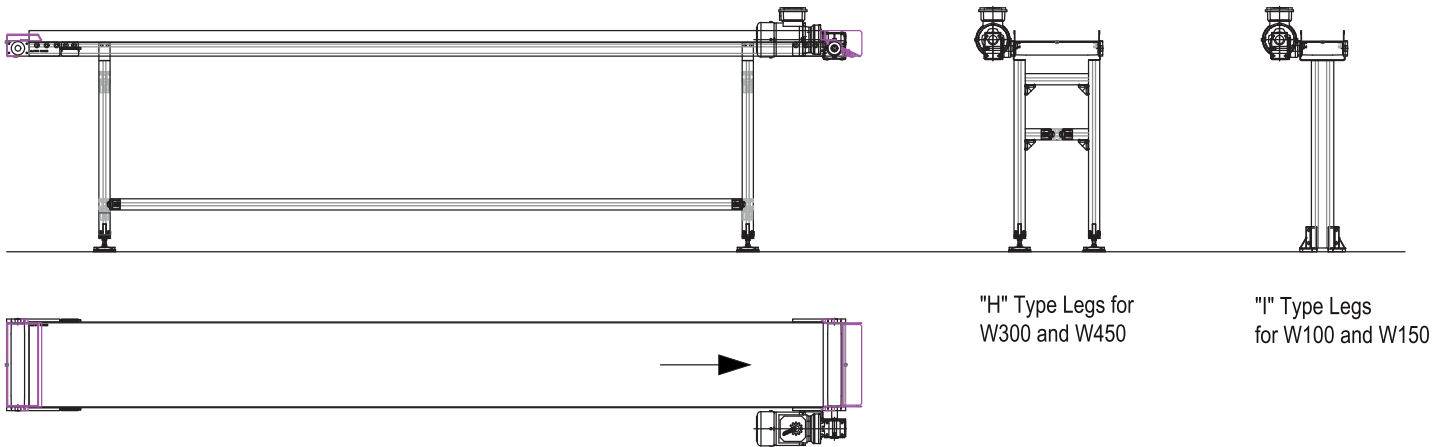
Configuration	Description
PG1050 SBC	Ultra Slim Standard Belt Conveyor
PG1050 SBC-HJ	Ultra Slim Standard Belt Conveyor with Hip-Joint
PG1050 MBC	Ultra Slim Multi Belt Conveyor (with linked shaft)
PG1050 IWBC	Ultra Slim Incline Wave Belt Conveyor
PG4060 SBC	Standard Belt Conveyor
PG4060 MBC	Multi Belt Conveyor
PG4060 STBC	Saw Tooth Belt Conveyor
PG25120 IWBC	Incline Wave Belt Conveyor
PG25120 IWBC-HJ	Incline Wave Belt Conveyor with Hip-Joint

- Normas de diseño / *Design Standards:*
 - Australian and NZ AS-4024.1-2014 Series Safety of Machinery(standard);
 - Otra según requerimiento del cliente / *Other as per customer request.*
- Especificación básica del producto / *Basic Product Spec:*
 - Profiles: T-Slot Extruded Aluminium Profile 6063-T5 with anodizing layer ≥ 11 microns;
 - Etching finishing (provides uniform surface; hides extrusion lines and imperfections);
 - Belt Type: Yong Li (preferred) or Ammeraal Belting (2-Ply PVC Green or Blue Color);
 - Guardrail Type: SS Folded Sheetmetal (preferred), Aluminium Profile, Special for Debris;
 - Motor Brand: NORD (preferred) or BONFIG Gearmotor with 4 options (0.37, 0.75, 1.5 and 2.2kW);
 - Standard Load Capacity: 30kg/m²;
 - Bearing Brand: SKF, NSK, FYH, LDK Bearings or similar;
 - Belt Speed: 3 options (11, 18 and 28m/min);
 - Safety Covers: Center Drive Cover, Snub Roller Cover, Take-Up Unit Cover.

PG1050-SBC-ED Transportador de Banda con Motor Directo al Eje
 PG1050-SBC-ED Standard Belt Conveyors with End Drive (Ultra Slim Belt Conveyor)

Los Transportadores de Banda PG1050 son utilizados en aplicaciones livianas. Poseen un perfil lateral ultra esbelto y las soluciones mecánicas son muy compactas. La banda se extiende casi hasta los extremos del transportador.

The PG1050 Belt Conveyors are used for light duty applications. The frame is manufactured with an ultra slim profile and the mechanical solutions are very compact. The belt extends almost to the edges of the conveyor.



"H" Type Legs for
W300 and W450

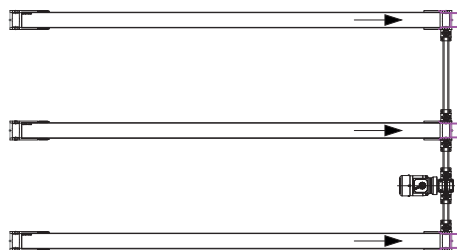
"I" Type Legs
for W100 and W150

- Normas de diseño / Design Standards:
 - Australian and NZ AS-4024.1-2014 Series Safety of Machinery (standard);
 - Otra según requerimiento del cliente / Other as per customer request.
- Especificación del Producto / Basic Product Spec:
 - Profiles: T-Slot Extruded Aluminium Profile 6063-T5 with anodizing layer ≥ 11 microns;
 - Etching finishing (Provides uniform surface; hides extrusion lines and imperfections);
 - Belt Type: Yong Li or Ammeraal Belting (2-Ply PVC Green or Blue Color);
 - Guardrail Type: SS Folded Sheetmetal;
 - Motor Brand: NORD (preferred) or BONFIGLIOLI Gearmotor 0.18kW;
 - Light Duty Load Capacity: 20kg/m²;
 - Bearing Brand: SKF, NSK, FYH, LDK Bearings or similar;
 - Belt Speed: 3 options (11, 18 and 28m/min).
- Otras Configuraciones Disponibles / Other Available Configs:
 - PG1050-MBC-ED Multi Belt Conveyor with End Drive (linked shaft)

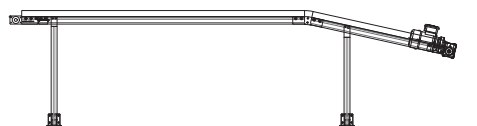
- PG1050 Profile:
 - Ultra Slim Profile 50mm height
 - T-Slot 10 to attach standard accessories and brackets

Max Length	See table (*) (**)
Min Width / Max Width	100mm / 450mm (**)
Load Capacity	20 kg/m ²
Conveying Speed	11, 18 and 28m/min
Motor Power	0.18kW

(*) Max Length depends on conveyor width and take-up capability
 (**) For longer and/or wider requirements, please contact Alutipo



- PG1050-SBC-HJ Standard Belt Conveyor with Hip-Joint

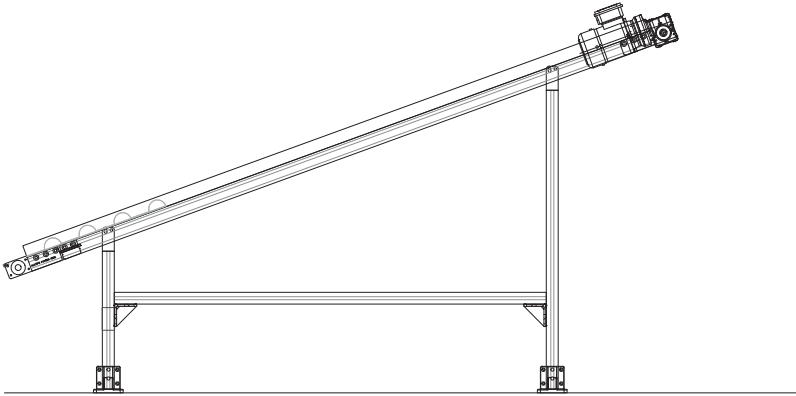


Nominal Width (mm)	Max Length (mm)
100	22000
150	22000
300	15000
450	12000

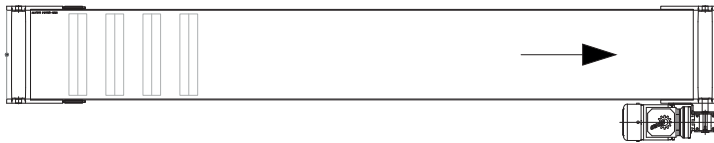
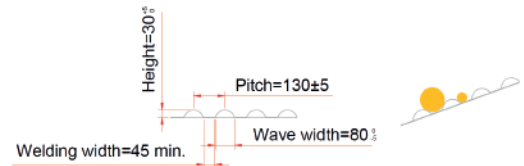
PG1050-IWBC-ED Transportador de Banda Inclinado
 PG1050-IWBC-ED Incline Wave Belt Conveyor

Los Transportadores de Banda PG1050 son utilizados en aplicaciones livianas y trasladan los productos desde una altura a otra. La banda posee ondas para evitar que el producto caiga hacia atrás (puede también ser suministrado con paletas).

The PG1050 Belt Conveyors are used for light duty applications and transport the products from one height to other. The belt has waves to avoid the product to fall backwards (can be supplied with cleats too).



● Wave Belt Profile:



● PG1050 Profile:

- Ultra Slim Profile 50mm height
- T-Slot 10 to attach standard accessories and brackets

- Normas de diseño / Design Standards:
 - Australian and NZ AS-4024.1-2014 Series Safety of Machinery (standard);
 - Otra según requerimiento del cliente / Other as per customer request.
- Especificación del Producto / Basic Product Spec:
 - Profiles: T-Slot Extruded Aluminium Profile 6063-T5 with anodizing layer ≥ 11 microns;
 - Etching finishing (Provides uniform surface; hides extrusion lines and imperfections);
 - Belt Type: Yong Li Belting (2-Ply PVC Green, White or Blue Color);
 - Guardrail Type: SS Folded Sheetmetal;
 - Motor Brand: NORD (preferred) or BONFIGLIOLI Gearmotor 0.18 kW;
 - Light Dury Load Capacity: 20kg/m²;
 - Bearing Brand: SKF, NSK, FYH, LDK Bearings or similar;
 - Belt Speed: 3 options (11, 18 and 28m/min).

Max Length	3000mm (*)
Min Width / Max Width	100mm / 300mm (*)
Load Capacity	20 kg/m ²
Conveying Speed	11, 18 and 28m/min
Std Incline Angle	10, 15 and 20° (**)
Motor Power	0.18 kW

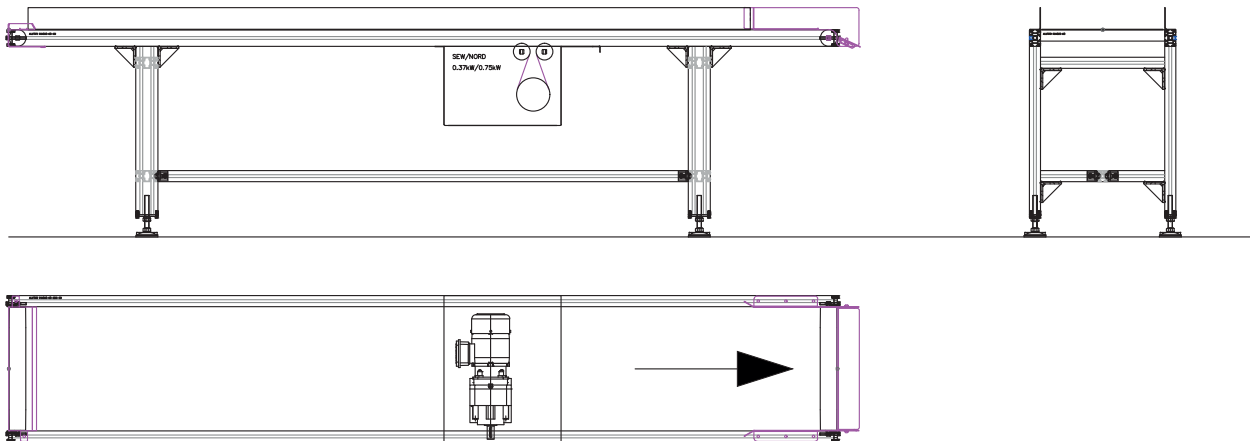
(*) For longer and/or wider requirements, please contact Alutipo

(**) For steeper requirements, please contact Alutipo

PG4060-SBC-CD Transportador de Banda con Motorización Central
 PG4060-SBC-CD Standard Belt Conveyor with Center Drive

Los Transportadores de Banda PG4060 son utilizados en una gran variedad de aplicaciones. La motorización central permite contar con un rodillo pequeño en la descarga que hace que la transferencia del objeto sea delicada. El espacio utilizado en planta es muy limitado.

The PG4060 Conveyor Belt are used in a wide range of applications. The Center Drive allows to have a small end roller providing a gentle transfer of the object. The floor space used is very limited.



- Normas de diseño / Design Standards:
 - Australian and NZ AS-4024.1-2014 Series Safety of Machinery (standard);
 - Otra según requerimiento del cliente / Other as per customer request.
- Especificación del Producto / Basic Product Spec:
 - Profiles: T-Slot Extruded Aluminium Profile 6063-T5 with anodizing layer ≥ 11 microns;
 - Etching finishing (Provides uniform surface; hides extrusion lines and imperfections);
 - Belt Type: Yong Li or Ammeraal Belting (2-Ply PVC Green or Blue Color);
 - Guardrail Type: SS Folded Sheetmetal, Aluminium Profile, Special for Debris;
 - Motor Brand: NORD Gearmotor 0.37, 0.75, 1.5 and 2.2 kW;
 - Standard Load Capacity: 30kg/m²;
 - Bearing Brand: SKF, NSK, FYH, LDK Bearings or similar;
 - Belt Speed: 3 options (11, 18 and 28m/min).
- Otras Configuraciones Disponibles / Other Available Configs:
 - PG4060-MBC Multi Belt Conveyor
 - PG4060-STBC Saw Tooth Belt Conveyor
- PG4060 Profile:
 - Slim Profile 60mm height
 - T-Slot 10 to attach standard accessories and brackets

Max Length	See table (*) (**)
Min Width / Max Width	300mm / 1200mm (**)
Std Load Capacity	30 kg/m ²
Conveying Speed	11, 18 and 28m/min
Motor Power	0.37, 0.75, 1.5, 2.2kW

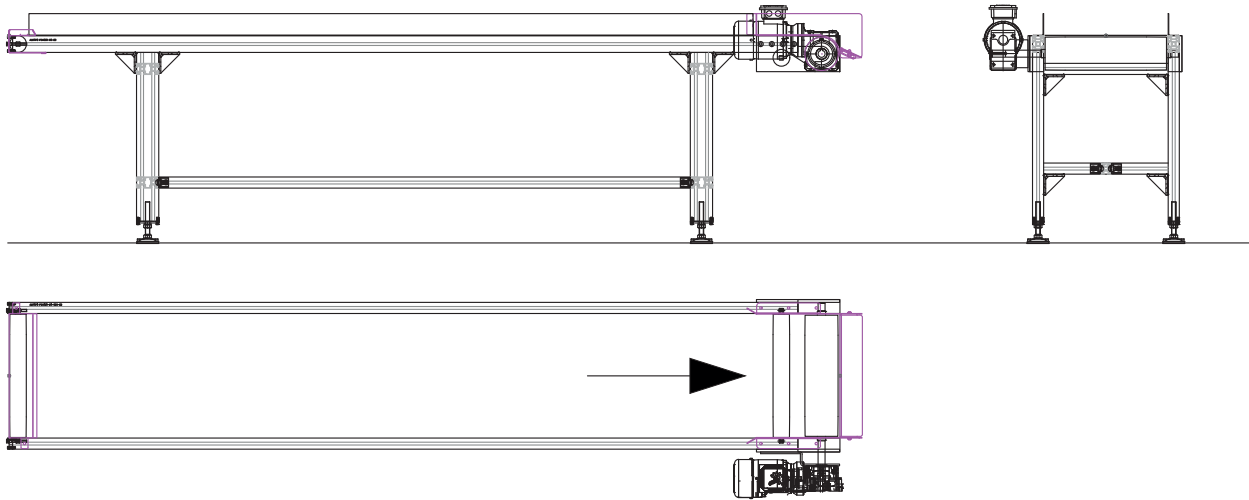
(*) Max Length depends on conveyor width and take-up capability
 (**) For longer and/or wider requirements, please contact Alutipo

Nominal Width (mm)	Max Length (mm)
300	78000
450	52000
600	39000
750	31000
900	26000
1200	19500

PG4060-SBC-ED Transportador de Banda con Motorización Directa al Eje
 PG4060-SBC-ED Standard Belt Conveyor with End Drive

Los Transportadores de Banda PG4060 son utilizados en una gran variedad de aplicaciones. La motorización directa al eje permite instalar el transportador contra el suelo. El motorreductor queda accesible para mantenimiento.

The PG4060 Conveyor Belt are used in a wide range of applications. The End Drive allows to install the conveyor close to the floor. The gearmotor is accesible for maintenance.



- Normas de diseño / Design Standards:
 - Australian and NZ AS-4024.1-2014 Series Safety of Machinery (standard);
 - Otra según requerimiento del cliente / Other as per customer request.
- Especificación del Producto / Basic Product Spec:
 - Profiles: T-Slot Extruded Aluminium Profile 6063-T5 with anodizing layer ≥ 11 microns;
 - Etching finishing (Provides uniform surface; hides extrusion lines and imperfections);
 - Belt Type: Yong Li or Ammeraal Belting (2-Ply PVC Green or Blue Color);
 - Guardrail Type: SS Folded Sheetmetal, Aluminium Profile, Special for Debris;
 - Motor Brand: NORD (preferred) or BONFIGLIOLI Gearmotor 0.37, 0.75, 1.5 and 2.2 kW;
 - Standard Load Capacity: 30kg/m²;
 - Bearing Brand: SKF, NSK, FYH, LDK Bearings or similar;
 - Belt Speed: 3 options (11, 18 and 28m/min).
- Otras Configuraciones Disponibles / Other Available Configs:
 - PG4060-MBC Multi Belt Conveyor
 - PG4060-STBC Saw Tooth Belt Conveyor
- PG4060 Profile:
 - Slim Profile 60mm height
 - T-Slot 10 to attach standard accessories and brackets

Max Length	See table (*) (**)
Min Width / Max Width	300mm / 1200mm (**)
Std Load Capacity	30 kg/m ²
Conveying Speed	11, 18 and 28m/min
Motor Power	0.37, 0.75, 1.5, 2.2kW

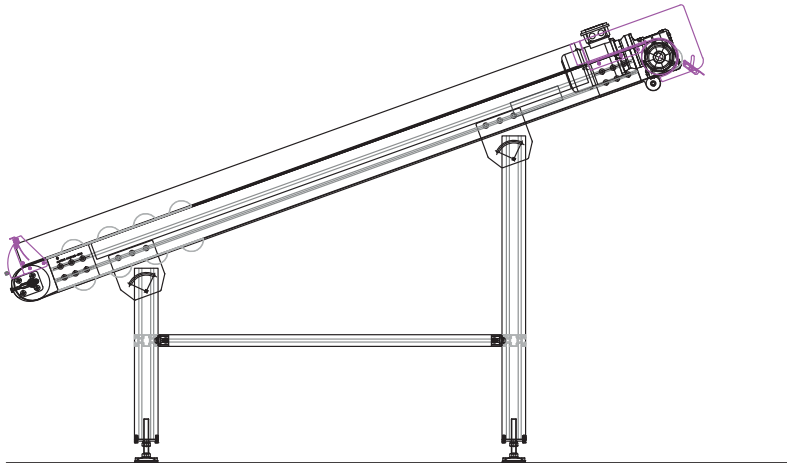
(*) Max Length depends on conveyor width and take-up capability
 (**) For longer and/or wider requirements, please contact Alutipo

Nominal Width (mm)	Max Length (mm)
300	78000
450	52000
600	39000
750	31000
900	26000
1200	19500

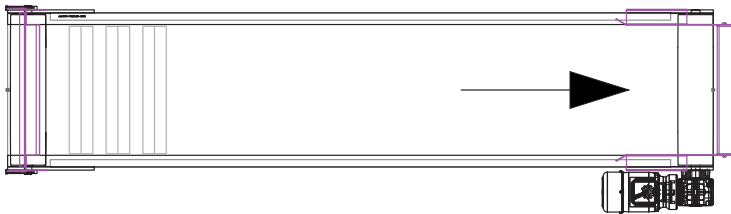
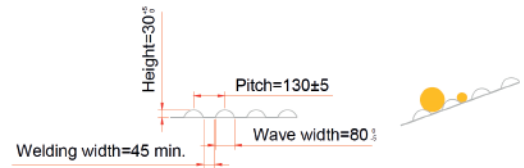
PG25120-IWBC-ED Transportador de Banda Inclinado con Motorización Directa al Eje
PG25120-IWBC-ED Incline Wave Belt Conveyor with End Drive

Los Transportadores de Banda Inclinales PG25120 son utilizados para trasladar los productos desde una altura a otra. La banda posee ondas para evitar que el producto caiga hacia atrás (puede también ser suministrado con paletas).

The PG25120 Incline Wave Conveyor Belts are used to transport the products from one height to other. The belt has waves to avoid the product to fall backwards (can be supplied with cleats too).



● Wave Belt Profile:



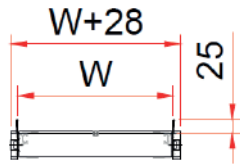
Max Length	See table (*) (**)
Min Width / Max Width	300mm / 750mm (**)
Std Load Capacity	30 kg/m ²
Conveying Speed	11, 18 and 28m/min
Std Incline Angle	10, 15 and 20° (***)
Motor Power	0.37kW

(*) Max Length depends on conveyor width
(**) For longer and/or wider requirements, please contact Alutipo
(***) For steeper angles, please contact Alutipo

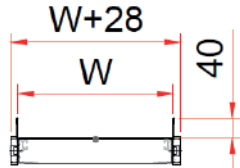
Nominal Width (mm)	Max Length (mm)
300	10000
450	6700
600	5000
750	4000

- Normas de diseño / Design Standards:
 - Australian and NZ AS-4024.1-2014 Series Safety of Machinery (standard);
 - Otra según requerimiento del cliente / Other as per customer request.
- Especificación del Producto / Basic Product Spec:
 - Profiles: T-Slot Extruded Aluminium Profile 6063-T5 with anodizing layer ≥ 11 microns;
 - Etching finishing (Provides uniform surface; hides extrusion lines and imperfections);
 - Belt Type: Yong Li Belting (2-Ply PVC Green, White or Blue Color);
 - Guardrail Type: SS Folded Sheetmetal;
 - Motor Brand: NORD (preferred) or BONFIGLIOLI Gearmotor 0.37 kW;
 - Standard Load Capacity: 30kg/m²;
 - Bearing Brand: SKF, NSK, FYH, LDK Bearings or similar;
 - Belt Speed: 3 options (11, 18 and 28m/min).
- PG25120 Profile:
 - 125mm profile height
 - T-Slot 10 to attach standard accessories and brackets

Tipos de Barandas para Serie PG1050
PG1050 Series Guardrail Types

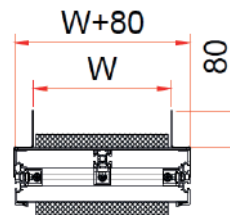


SS Folded Sheetmetal
H=25mm
Design for conveyors over Sort Tables



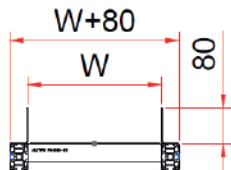
SS Folded Sheetmetal
H=40mm
Design for Genreal Use

Tipos de Barandas para Serie PG25120
PG25120 Series Guardrail Types

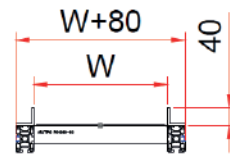


SS Folded Sheetmetal
H=80mm
Design for Genreal Use

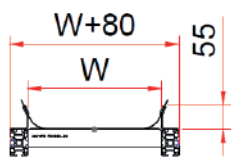
Tipos de Barandas para Serie PG4060
PG4060 Series Guardrail Types



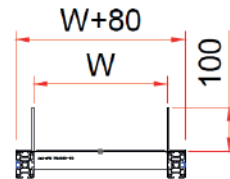
SS Folded Sheetmetal
H=80mm
Design for General Use



Aluminium Profile L40x40x4
H=40mm
Design for Material Handling Conveyors



Galvanized Sheetmetal + Seal Belting
Design for Debris Conveyors



Aluminium Profile L100x40x4
H=100mm
Design for General Use

- Otro perfiles según requerimiento / Other Profiles upon request.
Contactar a Alutipo www.alutipo.com / Please contact Alutipo www.alutipo.com

Tipos de Bandas
 Belt Types


Marca / Brand	Código / Code	Descripción / Description	Comentarios / Comments
Yong Li	P25-14A	2-Ply 2mm thk. PVC Green Gloss	
Yong Li	P25-84A	2-Ply 2mm thk. PVC Blue Gloss	
Yong Li	P25-14N FDA	2-Ply 2mm thk. PVC FDA Certified Green Gloss	
Yong Li	P25-24N FDA	2-Ply 2mm thk. PVC FDA Certified White Gloss	
Yong Li	P25-84N FDA	2-Ply 2mm thk. PVC FDA Certified Blue Gloss	
Yong Li	P22-16.3RD	Super Grip PVC Green	<i>Ideal for Material Handling</i>
Yong Li	P25-14/1A	Low Grip PVC Green (*)	<i>Ideal for Material Handling</i>
Ammeraal	# 575760	2-Ply 2mm thk. PVC FDA Certified Green Gloss	<i>Not available for Wave Elevators</i>
Ammeraal	#573009	2-Ply 2mm thk. PVC FDA Certified Blue Gloss	<i>Not available for Wave Elevators</i>

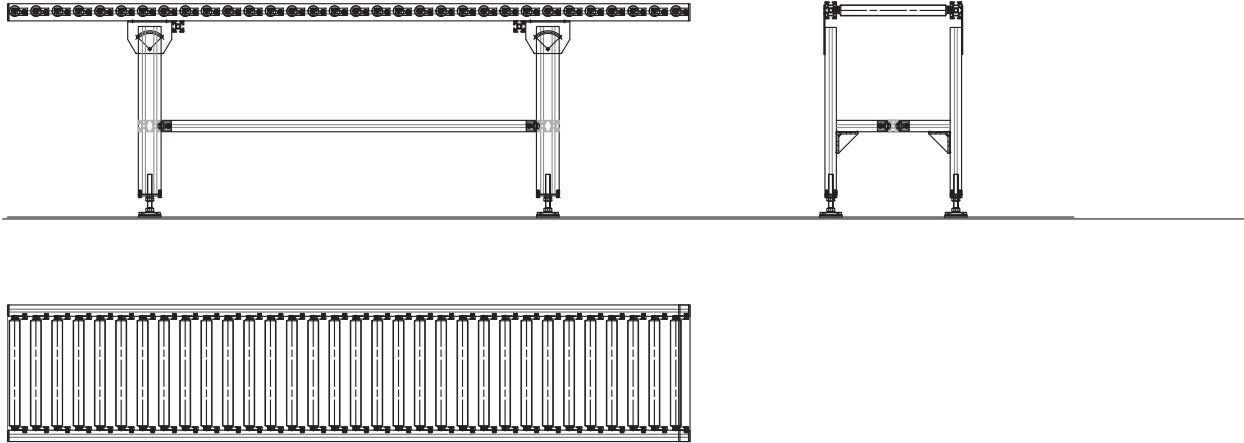
 Tipos de Motores
 Motor Types


Conveyor Model	Drive Type	Standard Power	Marca / Brand	Power Supply
PG1050-ED	End Drive	0.18kW	NORD	230/400VAC III 50Hz
PG25120-ED		0.37kW		
PG4060-ED		0.37kW, 0.75kW, 1.5kW and 2.2kW	BONFIGLIOLI	
PG4060-CD	Center Drive	0.37kW, 0.75kW, 1.5kW and 2.2kW	NORD	265/460VAC III 60Hz

PG4060-FRC Transportador de Rodillos por Gravedad
 PG4060-FRC Free Roller Conveyor (Gravity Roller Conveyor)

Los Transportadores de Rodillos por Gravedad son comunmente utilizados en una acumulación de productos. La estructura modular permite gran flexibilidad de configuración según el requerimiento del cliente.

The PG4060 Free Roller Conveyors are commonly used to accumulate products. The modular frame allows great flexibility to configure the equipment as per customers requets.



- Especificación del Producto / Basic Product Spec:
 - Profiles: T-Slot Extruded Aluminium Profile 6063-T5 with anodizing layer ≥ 11 microns;
 - Etching finishing (Provides uniform surface; hides extrusion lines and imperfections);
 - Roller Type: PVC, Steel Zinc Plated, SS;
 - Standard Load Capacity: 30kg/m².

- PG4060 Profile:
 - Slim Profile 60mm height
 - T-Slot 10 to attach standard accessories and brackets

Max Length	As per request
Min Width / Max Width	300mm / 1200mm
Std Load Capacity	30 kg/m ²
Roller Diameter	D38x1.2, D50x1.5mm
Roller Spacing	As per request



Sistema de Ensamble Modular
Modular Assembly System

MAS



Sistema de Transportadores Modulares
Modular Conveyor System

MCS



Sistema de Plataformas y Escaleras
Stair and Platform System

SPS



Sistema de Cerramientos de Seguridad
Machine Guard System

MGS



Sistema de Estructuras Tubulares
Tubular Framing System

TFS



Alutipo SRL
Web: www.alutipo.com
Email: info@alutipo.com

Modular Conveyor System