





Conveyor Rollers



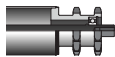



Conveyor Rollers
Conveyor Rollers




Rodillos de Gravedad / Gravity Roller Series

Series	Name	Configuration	Diameter	Product Features	Page
R101	Universal gravity roller		Ø 50	Polymer bearing housing, light/medium duty, medium/high speed, low noise	05 - 07
R111	Heavy Duty gravity roller		Ø 38/50/60/76/89	Steel bearing housing, heavy duty, medium/high speed, robust, durable	08 - 12

Rodillos Motorizados / Powered Roller Series

Series	Name	Configuration	Diameter	Product Features	Page
R201/202	Single/Double grooved O-belt powered roller		Ø 50	O-belt drive head, light/medium duty, medium/high speed, low noise	13 - 15
R211	Poly-V belt powered roller		Ø 50	Poly-V belt drive head, light/medium duty, high speed, low noise	16 - 18
R221/222	Steel single/double sprocket powered roller		Ø 50/60/76	Steel sprocket drive head, steel bearing housing, heavy duty, low speed, robust, durable	19 - 23
R231/232	Steel single/double sprocket adjustable accumulation powered roller		Ø 50/60/76	Steel sprocket drive head, steel bearing housing, heavy duty, low speed, adjustable accumulation force	24 - 28

Rodillos Cónicos / Tapered Roller Series

Series	Name	Configuration	Diameter	Product Features	Page
R301	Universal tapered sleeve gravity roller		Ø 52.9 /56	Polymer tapered sleeve, light/medium duty, medium/high speed, low noise	29 - 32
R321	Poly-V belt tapered sleeve powered roller		Ø 52.9 /56	Polymer poly-V belt drive head, polymer tapered sleeve, light/medium duty, high speed, low noise	33 - 36
R331	Steel sprocket tapered sleeve powered roller		Ø 52.9 /56	Steel sprocket drive head, polymer tapered sleeve, medium duty, low speed, robust, durable	37 - 39

Especificación Básica del Producto / Basic Product Spec:

Material del Tubo: acero al carbono, acero inoxidable

Tratamiento Superficial del Tubo y Revestimiento: zincado, galvanizado en caliente, no tratado

Material del Eje: acero al carbono

Tratamiento Superficial del Eje: aceite anticorrosivo, zincado

Tipo de Rodamiento: rodamiento de bolas de precisión standard, juego interno C3, sello tipo RZ

Tube Material: carbon steel, stainless steel, aluminium and PVC.

Tube Surface Treatment and Coating: zinc plating, hot-galvanized, non-treated

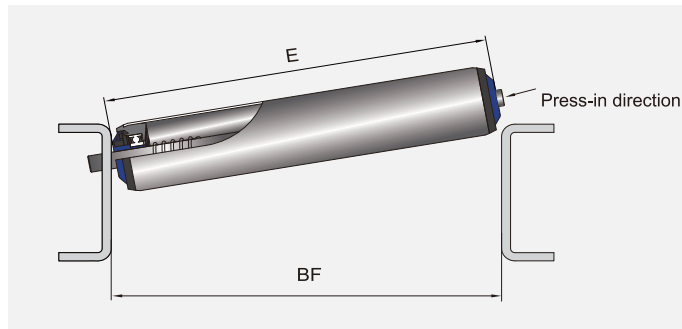
Shaft Material: carbon steel

Shaft Surface Treatment: antirust oil, zinc plating

Bearing Type: standard precision ball bearing, C3 clearance, RZ type sealing

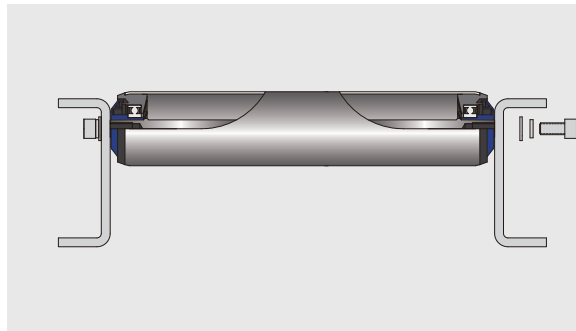
Método de instalación / Installation Method:

Eje Cargado con Resorte / Spring Loaded Shaft



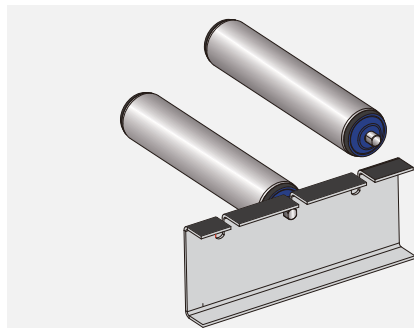
- Se fabrican a partir de barras redondas o hexagonales.
- Se colocan en forma oblicua en agujeros del bastidor presionando el extremo del eje con resorte.
- Son de montaje rápido y fácil.
- They are made out of round bars or hex bars.
- They are installed in oblique position into conveyor frame holes by pressing the spring loaded shaft end.
- They are quick and easy to install.

Eje con Rosca Interna / Internal Threaded Shaft



- Se fabrican a partir de barras redondas o hexagonales.
- Se atornillan firmemente generando una unión solidaria entre el rodillo y el bastidor del transportador.
- Son más silenciosos y poseen menor desgaste que sus pares.
- Son de montaje lento.
- They are made out of round bars or hex bars.
- They are screwed firmly generating a fixed connection between the roller and the conveyor frame.
- They make less noise and suffer less wear than its peers.
- They are slow to install.

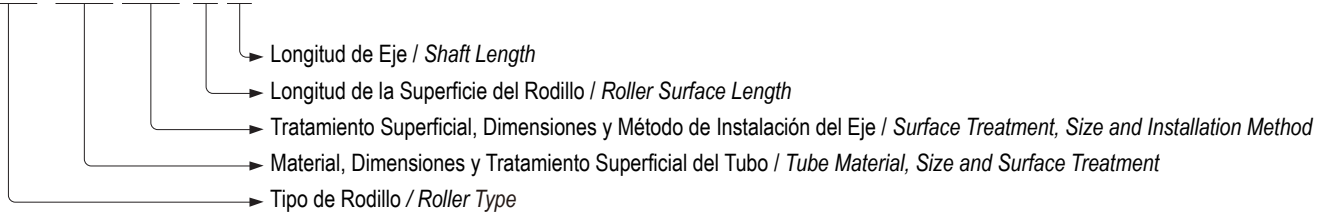
Eje con Caras Fresadas / Milled Flatted Shaft



- Se fabrican a partir de barras redondas y poseen dos caras fresadas paralelas en sus extremos.
- Se colocan desde arriba en agujeros abiertos longitudinales que posee el bastidor.
- Son de montaje rápido y fácil.
- They are made out of round bars and have two parallel milled surfaces at the shaft ends.
- They are fitted into conveyor frames with open longitudinal holes.
- Quick and easy installation.

Número de parte del Rodillo / Roller Part Number

R101. C1A. A1A. W. L



- **R101:** Tipo de Rodillo / Roller Type

R101 — Universal gravity roller	R201 — Single/Double grooved O-belt powered roller
R111 — Heavy duty gravity roller	R202 — Single/Double grooved O-belt powered roller
R301 — Universal tapered sleeve gravity roller	R211 — Poly-V belt powered roller
R311 — Double grooved O-belt tapered sleeve powered roller	R221 — Steel single sprocket powered roller
R321 — Poly-V belt tapered sleeve powered roller	R222 — Steel double sprocket powered roller
R331 — Steel sprocket tapered sleeve powered roller	R231 — Steel single sprocket adjustable accumulation powered roller
	R232 — Steel double sprocket adjustable accumulation powered roller

- **C1A:** Material, Dimensiones y Tratamiento Superficial del Tubo / Tube Material, Size and Surface Treatment

C: Material

C — Carbon steel tube	S — Stainless steel 304 tube
H — Hot-galvanized steel tube	J — Stainless steel 201 tube

1: Diameter and thickness

1 — Ø 50x1.5	2 — Ø 60x2	3 — Ø 76x3	4 — Ø 38x1.2	5 — Ø 50x2.0	6 — Ø 89x3.0
--------------	------------	------------	--------------	--------------	--------------

A1: Surface treatment (including surface attachments)

A — Closed zinc plating	C — Non-treated
B — Common zinc plating	

- **A1A:** Tratamiento Superficial, Dimensiones y Método de Instalación del Eje / Surface Treatment, Size and Installation Method

A: Diameter and thickness

A — Antirust oil	B — Zinc plating
------------------	------------------

1: Diameter

1 — Ø 12	2 — Ø 15	3 — Ø 20	4 — 11 hex (Hexagonal)
----------	----------	----------	------------------------

A: Installation method

A — Spring Loaded	D — Milling Round Flat
B — Internal Thread	E — Milling Round Flat & Internal Thread
C — Double Milling Flat	

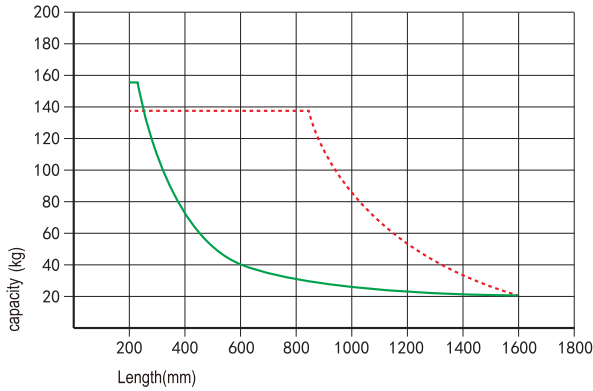
- **W:** Longitud de la Superficie del Rodillo / Roller Surface Length

- **L:** Longitud de Eje / Shaft Length

🔔 If you do not find the model you need in the standard selection form, please contact us

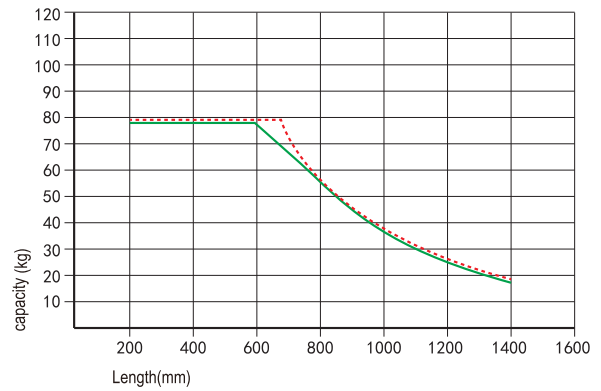
Capacidad de Carga del Rodillo / Roller Load Capacity

R101 series load capacity



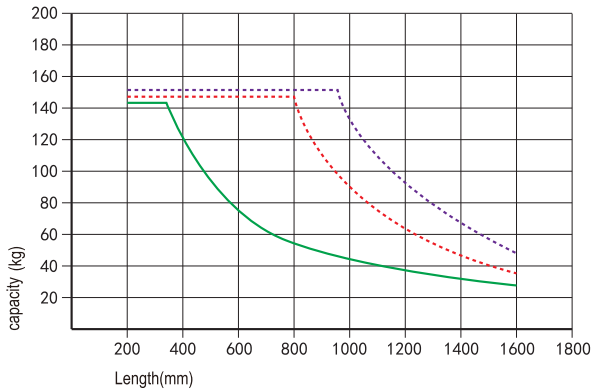
- Steel tube ϕ 50x1.5, shaft ϕ 12, internal thread
- Steel tube ϕ 50x1.5, shaft ϕ 12, spring loaded

R111 series load capacity



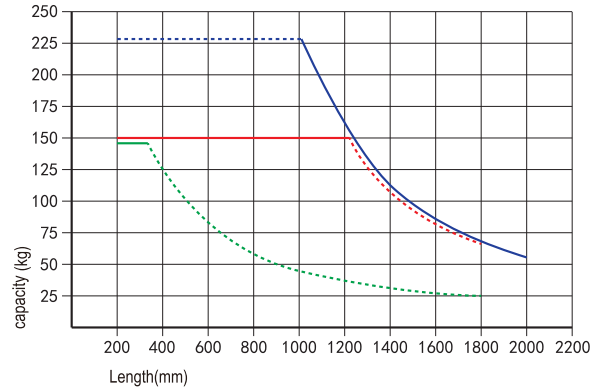
- Steel tube ϕ 38x1.2, shaft ϕ 12, internal thread
- Steel tube ϕ 38x1.2, shaft ϕ 12, spring loaded

R111/R221/R222 series load capacity



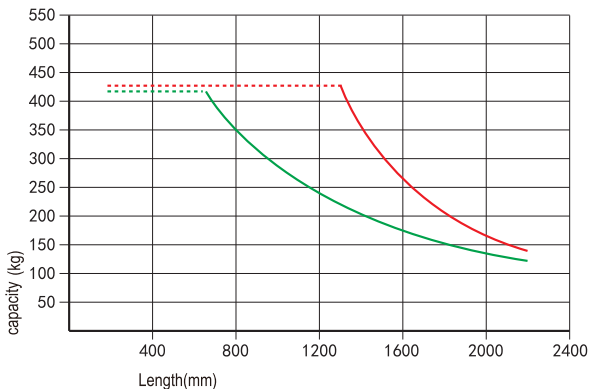
- Steel tube ϕ 50x1.5, shaft ϕ 12, internal thread
- Steel tube ϕ 50x1.5/ ϕ 50x2.0, shaft ϕ 12, spring loaded
- Steel tube ϕ 50x2.0, shaft ϕ 12, internal thread

R111/R221/R222 series load capacity



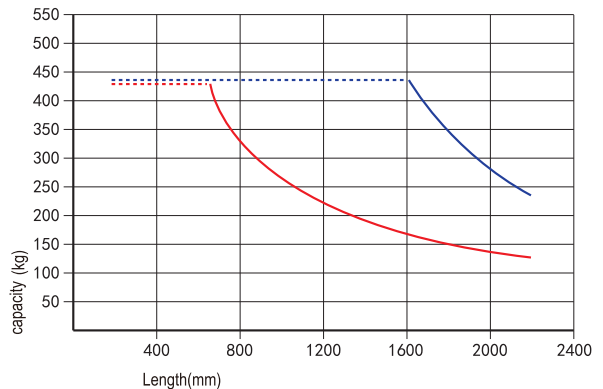
- Steel tube ϕ 60x2.0, shaft ϕ 12, internal thread
- Steel tube ϕ 60x2.0, shaft ϕ 12, spring loaded
- Steel tube ϕ 60x2.0, shaft ϕ 15, internal thread

R111/R221/R222 series load capacity



- Steel tube ϕ 76x3.0, shaft ϕ 20, internal thread
- Steel tube ϕ 76x3.0, shaft ϕ 20, spring loaded

R111/R222 series load capacity



- Steel tube ϕ 89x3.0, shaft ϕ 20, internal thread
- Steel tube ϕ 89x3.0, shaft ϕ 20, spring loaded

▲ Above data shows the static load capacity of the roller for a uniformly distributed load.



R101 Series

Universal Gravity Roller

■ **Ámbito de Aplicación / Application Area**

Comúnmente utilizado para aplicaciones de transporte de cajas de servicio liviano y mediano. Adecuado para aplicaciones de alta velocidad.

*It is commonly used for light/medium duty carton conveying applications.
Suitable for high speed applications.*

Rango de temperatura / *Temperature range*: - 5°C ~ + 40°C

■ **Características / Features**

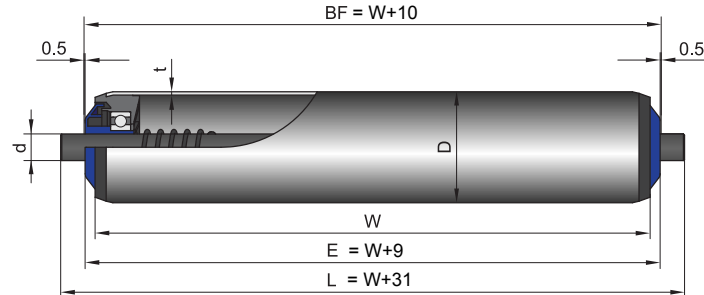
- Funcionamiento silencioso gracias a la utilización de rodamientos de bolas de precisión.
- Buena protección contra polvo y agua gracias al diseño de la tapa de extremo.
- *Low-noise running thanks to the use of precision ball bearings fixed in polymer housing.*
- *Good protection against dirt and water thanks to the end cap design.*

■ **Especificaciones / Specifications**

- Bearing Housing: Polyamide, Black.
- End Cap: Polypropylene, ETON Blue.
- Precision Ball Bearing: Deep Groove Ball Bearing 6001.

R101 Series

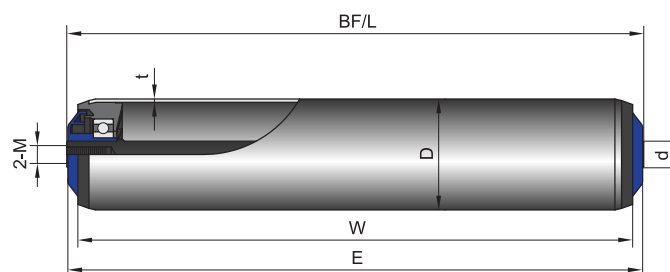
Spring loaded



Tube Material	Tube Dia. (D)	Tube Thk. (t)	Shaft Dia. (d)		BF	E	L
			Ø12mm	11Hex			
Steel, zinc plated	Ø 50mm	1.5 mm	R101.C1A.A1A	R101.C1A.A4A	W+10mm	W+9mm	W+31mm
Stainless Steel 304	Ø 50mm	1.5 mm	R101.S1C.B1A	R101.S1A.B4A	W+10mm	W+9mm	W+31mm
Stainless Steel 201	Ø 50mm	1.5 mm	R101.J1C.B1A	R101.J1A.B4A	W+10mm	W+9mm	W+31mm

R101 Series

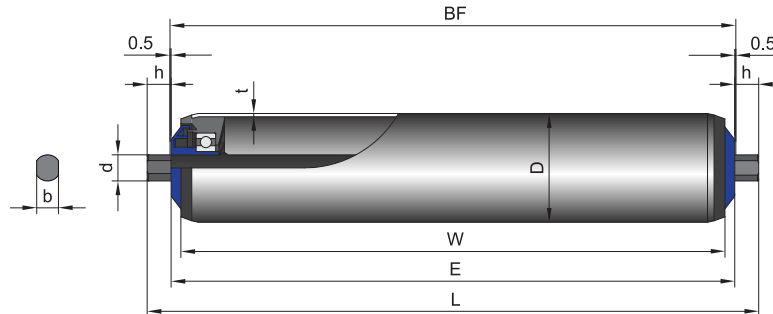
Internal thread



Tube Material	Tube Dia. (D)	Tube Thk. (t)	Shaft Dia. (d)	BF	E	L
			Ø12mm (M8x15)			
Steel, zinc plated	Ø 50mm	1.5 mm	R101.C1A.A1B	W+11mm	W+9mm	W+11mm
Stainless Steel 304	Ø 50mm	1.5 mm	R101.S1C.B1B	W+11mm	W+9mm	W+11mm
Stainless Steel 201	Ø 50mm	1.5 mm	R101.J1C.B1B	W+11mm	W+9mm	W+11mm

R101 Series

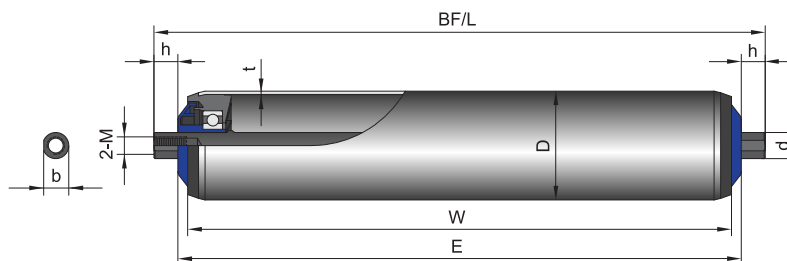
Milling flat



Tube Material	Tube Dia. (D)	Tube Thk. (t)	Shaft Dia. (d)	BF	E	L
			Ø12mm (b/h=10/11mm)			
Steel, zinc plated	Ø 50mm	1.5 mm	R101.C1A.A1C	W+10mm	W+9mm	W+31mm
Stainless Steel 304	Ø 50mm	1.5 mm	R101.S1C.B1C	W+10mm	W+9mm	W+31mm
Stainless Steel 201	Ø 50mm	1.5 mm	R101.J1C.B1C	W+10mm	W+9mm	W+31mm

R101 Series

Internal thread + Milling flat



Tube Material	Tube Dia. (D)	Tube Thk. (t)	Shaft Dia. (d)	BF	E	L
			Ø12mm (b/h=10/11mm)			
Steel, zinc plated	Ø 50mm	1.5 mm	R101.C1A.A1E	W+31mm	W+9mm	W+31mm
Stainless Steel 304	Ø 50mm	1.5 mm	R101.S1C.B1E	W+31mm	W+9mm	W+31mm
Stainless Steel 201	Ø 50mm	1.5 mm	R101.J1C.B1E	W+31mm	W+9mm	W+31mm



R111 Series

Heavy Duty Gravity Roller

Ámbito de Aplicación / Application Area

Comunmente utilizado para aplicaciones de transporte de cajas de servicio mediano y pesado. Adecuado para aplicaciones de alta velocidad y para aplicaciones en temperatura ambiente extrema.

*It is commonly used for medium/heavy duty carton conveying applications.
Suitable for high speed applications and for extreme ambient temperature applications.*

Rango de temperatura / Temperature range: - 20°C ~ + 80°C

Características / Features

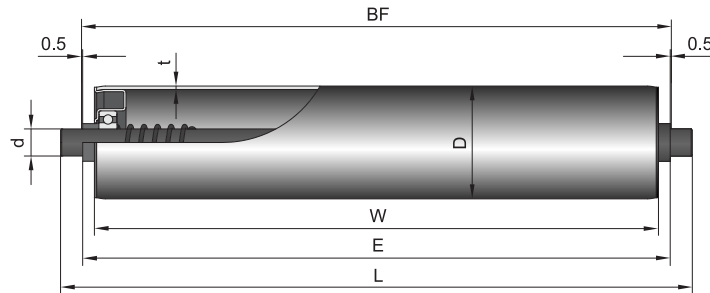
- Funcionamiento silencioso gracias a la utilización de rodamientos de bolas de precisión.
 - Posee alta capacidad de carga gracias al uso de cajas de rodamientos de acero estampadas.
 - Puede ser expuesto a temperatura ambiente extrema.
 - Buena protección contra polvo y agua gracias al diseño de la tapa de extremo.
- Low-noise running thanks to the use of precision ball bearings.
• High load capacity thanks to the use of steel stamped bearing housing.
• Can be exposed to extreme ambient temperature.
• Good protection against dirt and water thanks to the end cap design.*

Especificaciones / Specifications

- Bearing Housing: Steel, Zinc Plated.
- End Cap: N/A
- Precision Ball Bearing: Deep Groove Ball Bearing 6001 / 6002 / 6004.

R111 Series

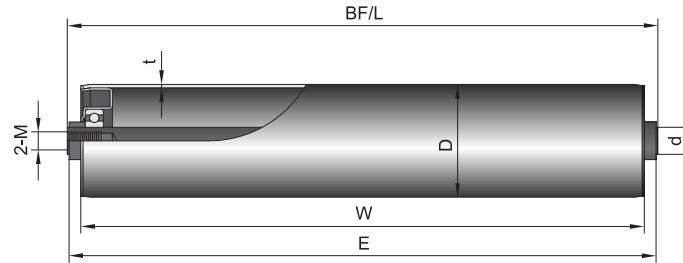
Spring loaded



Tube Material	Tube Dia. (D)	Tube Thk. (t)	Shaft Dia. (d)			BF	E	L
			Ø12mm	Ø15mm	Ø20mm			
Steel, zinc plated	Ø 38mm	1.2 mm	R111.C4A.A1A			W+11mm	W+10mm	W+32mm
Steel, zinc plated	Ø 50mm	1.5 mm	R111.C1A.A1A			W+11mm	W+10mm	W+32mm
Steel, zinc plated	Ø 50mm	2.0 mm	R111.C5A.A1A			W+11mm	W+10mm	W+32mm
Steel, zinc plated	Ø 60mm	2.0 mm	R111.C2A.A1A	R111.C2A.A2A		W+11mm	W+10mm	W+32mm
Steel, zinc plated	Ø 76mm	3.0 mm			R111.C3A.A3A	W+11mm	W+10mm	W+40mm
Steel, zinc plated	Ø 89mm	3.0 mm			R111.C6A.A3A	W+11mm	W+10mm	W+40mm
Stainless Steel 304	Ø 38mm	1.2 mm	R111.S4C.B1A			W+11mm	W+10mm	W+32mm
Stainless Steel 304	Ø 50mm	1.5 mm	R111.S1C.B1A			W+11mm	W+10mm	W+32mm
Stainless Steel 304	Ø 60mm	2.0 mm	R111.S2C.B1A	R111.S2C.B2A		W+11mm	W+10mm	W+32mm
Stainless Steel 304	Ø 76mm	3.0 mm			R111.S3C.B3A	W+11mm	W+10mm	W+40mm
Stainless Steel 201	Ø 50mm	1.5 mm	R111.J1C.B1A			W+11mm	W+10mm	W+32mm

R111 Series

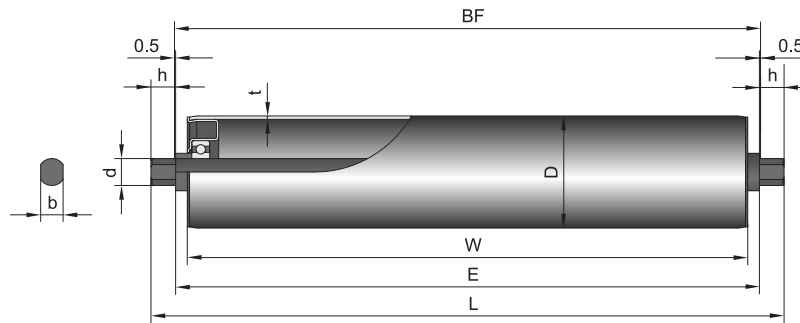
Internal thread



Tube Material	Tube Dia. (D)	Tube Thk. (t)	Shaft Dia. (d)			BF	E	L
			Ø12mm	Ø15mm	Ø20mm			
Steel, zinc plated	Ø 38mm	1.2 mm	R111.C4A.A1B			W+11mm	W+10mm	W+11mm
Steel, zinc plated	Ø 50mm	1.5 mm	R111.C1A.A1B			W+11mm	W+10mm	W+11mm
Steel, zinc plated	Ø 50mm	2.0 mm	R111.C5A.A1B			W+11mm	W+10mm	W+11mm
Steel, zinc plated	Ø 60mm	2.0 mm	R111.C2A.A1B	R111.C2A.A2B		W+11mm	W+10mm	W+11mm
Steel, zinc plated	Ø 76mm	3.0 mm			R111.C3A.A3B	W+11mm	W+10mm	W+11mm
Steel, zinc plated	Ø 89mm	3.0 mm			R111.C6A.A3B	W+11mm	W+10mm	W+11mm
Stainless Steel 304	Ø 38mm	1.2 mm	R111.S4C.B1B			W+11mm	W+10mm	W+11mm
Stainless Steel 304	Ø 50mm	1.5 mm	R111.S1C.B1B			W+11mm	W+10mm	W+11mm
Stainless Steel 304	Ø 60mm	2.0 mm	R111.S2C.B1B	R111.S2C.B2B		W+11mm	W+10mm	W+11mm
Stainless Steel 304	Ø 76mm	3.0 mm			R111.S3C.B3B	W+11mm	W+10mm	W+11mm
Stainless Steel 201	Ø 50mm	1.5 mm	R111.J1C.B1B			W+11mm	W+10mm	W+11mm

R111 Series

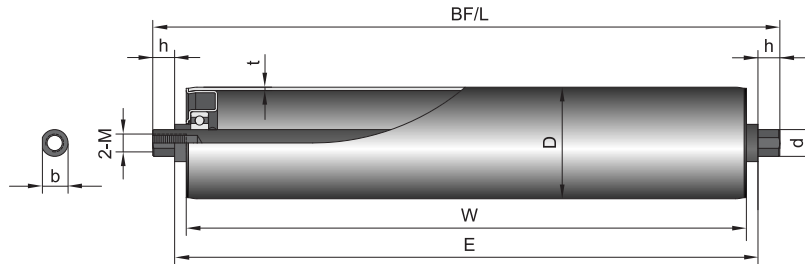
Milling flat



Tube Material	Tube Dia. (D)	Tube Thk. (t)	Shaft Dia. (d)			BF	E	L
			Ø12mm	Ø15mm	Ø20mm			
Steel, zinc plated	Ø 38mm	1.2 mm	R111.C4A.A1C			W+11mm	W+10mm	W+32mm
Steel, zinc plated	Ø 50mm	1.5 mm	R111.C1A.A1C			W+11mm	W+10mm	W+32mm
Steel, zinc plated	Ø 50mm	2.0 mm	R111.C5A.A1C			W+11mm	W+10mm	W+32mm
Steel, zinc plated	Ø 60mm	2.0 mm	R111.C2A.A1C	R111.C2A.A2C		W+11mm	W+10mm	W+32mm
Steel, zinc plated	Ø 76mm	3.0 mm			R111.C3A.A3C	W+11mm	W+10mm	W+40mm
Steel, zinc plated	Ø 89mm	3.0 mm			R111.C6A.A3C	W+11mm	W+10mm	W+40mm
Stainless Steel 304	Ø 38mm	1.2 mm	R111.S4C.B1C			W+11mm	W+10mm	W+32mm
Stainless Steel 304	Ø 50mm	1.5 mm	R111.S1C.B1C			W+11mm	W+10mm	W+32mm
Stainless Steel 304	Ø 60mm	2.0 mm	R111.S2C.B1C	R111.S2C.B2C		W+11mm	W+10mm	W+32mm
Stainless Steel 304	Ø 76mm	3.0 mm			R111.S3C.B3C	W+11mm	W+10mm	W+40mm
Stainless Steel 201	Ø 50mm	1.5 mm	R111.J1C.B1C			W+11mm	W+10mm	W+32mm

R111 Series

Internal thread + Milling flat



Tube Material	Tube Dia. (D)	Tube Thk. (t)	Shaft Dia. (d)			BF	E	L
			Ø12mm	Ø15mm	Ø20mm			
Steel, zinc plated	Ø 38mm	1.2 mm	R111.C4A.A1E			W+32mm	W+10mm	W+32mm
Steel, zinc plated	Ø 50mm	1.5 mm	R111.C1A.A1E			W+32mm	W+10mm	W+32mm
Steel, zinc plated	Ø 50mm	2.0 mm	R111.C5A.A1E			W+32mm	W+10mm	W+32mm
Steel, zinc plated	Ø 60mm	2.0 mm	R111.C2A.A1E	R111.C2A.A2E		W+32mm	W+10mm	W+32mm
Steel, zinc plated	Ø 76mm	3.0 mm			R111.C3A.A3E	W+40mm	W+10mm	W+40mm
Steel, zinc plated	Ø 89mm	3.0 mm			R111.C6A.A3E	W+40mm	W+10mm	W+40mm
Stainless Steel 304	Ø 38mm	1.2 mm	R111.S4C.B1E			W+32mm	W+10mm	W+32mm
Stainless Steel 304	Ø 50mm	1.5 mm	R111.S1C.B1E			W+32mm	W+10mm	W+32mm
Stainless Steel 304	Ø 60mm	2.0 mm	R111.S2C.B1E	R111.S2C.B2E		W+32mm	W+10mm	W+32mm
Stainless Steel 304	Ø 76mm	3.0 mm			R111.S3C.B3E	W+40mm	W+10mm	W+40mm
Stainless Steel 201	Ø 50mm	1.5 mm	R111.J1C.B1E			W+32mm	W+10mm	W+32mm



R201



R202

R201/R202 Series

Single/Double Grooved O-belt Powered Roller

Ámbito de Aplicación / Application Area

Comúnmente utilizado para aplicaciones de transporte de cajas de servicio liviano y mediano. Adecuado para aplicaciones de alta velocidad.

It is commonly used for light/medium duty carton conveying applications. Suitable for high speed applications.

Rango de temperatura / Temperature range: - 5°C ~ + 40°C

Características / Features

- Funcionamiento silencioso gracias a la utilización de rodamientos de bolas de precisión.
- La ubicación y número de ranuras puede ser customizada.
- Buena protección contra polvo y agua gracias al diseño de la tapa de extremo.

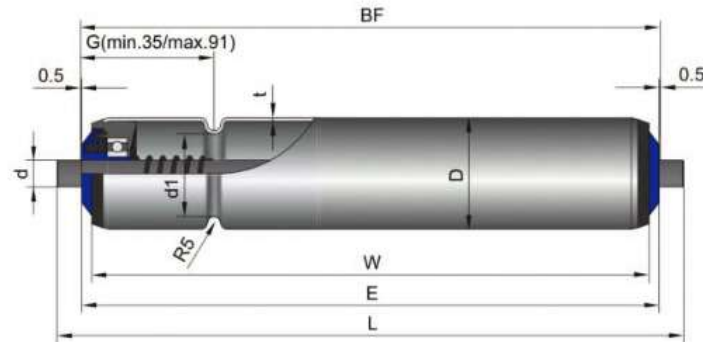
- *Low-noise running thanks to the use of precision ball bearings.*
- *The location and number of grooves can be customized.*
- *Good protection against dirt and water thanks to the end cap design.*

Especificaciones / Specifications

- Bearing Housing: Polyamide, Black
- End Cap: Polypropylene, ETON Blue
- Precision Ball Bearing: Deep Groove Ball Bearing 6001

R201 Series

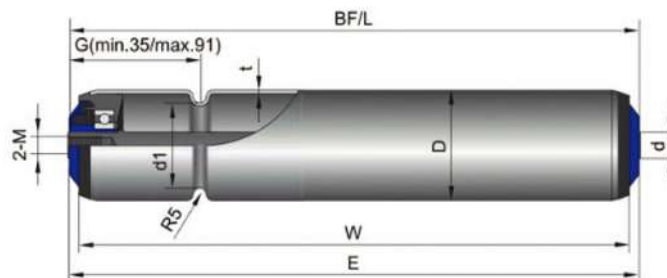
Spring loaded



Tube Material	Tube Dia. (D)	Tube Thk. (t)	Shaft Dia. (d)		BF	E	L
			Ø12mm	11Hex			
Steel, zinc plated	Ø 50mm	1.5 mm	R201.C1A.A1A	R201.C1A.A4A	W+10mm	W+9mm	W+31mm
Stainless Steel 304	Ø 50mm	1.5 mm	R201.S1C.B1A	R201.S1A.B4A	W+10mm	W+9mm	W+31mm

R201 Series

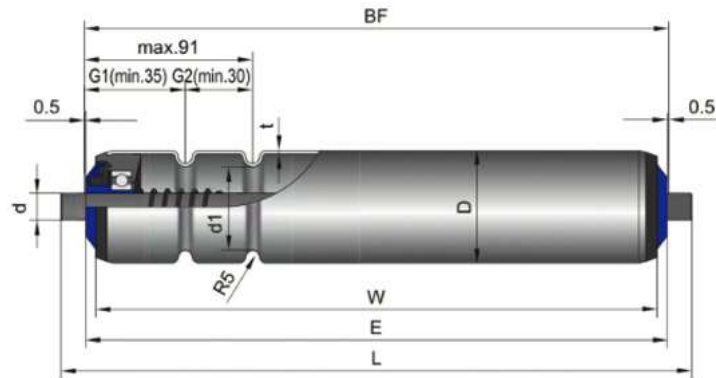
Internal thread



Tube Material	Tube Dia. (D)	Tube Thk. (t)	Shaft Dia. (d)		BF	E	L
			Ø12mm (M8x15)				
Steel, zinc plated	Ø 50mm	1.5 mm	R201.C1A.A1B		W+10mm	W+9mm	W+10mm
Stainless Steel 304	Ø 50mm	1.5 mm	R201.S1C.B1B		W+10mm	W+9mm	W+10mm

R202 Series

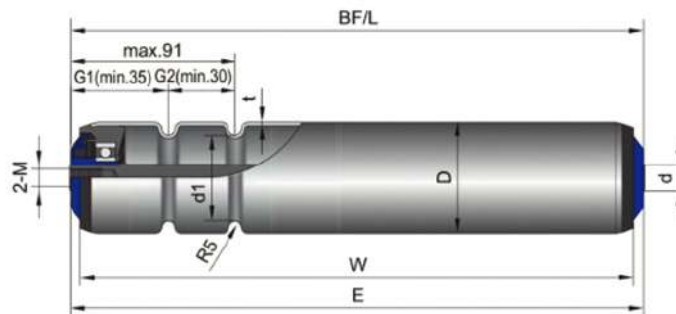
Spring loaded



Tube Material	Tube Dia. (D)	Tube Thk. (t)	Shaft Dia. (d)		BF	E	L
			Ø12mm	11Hex			
Steel, zinc plated	Ø 50mm	1.5 mm	R202.C1A.A1A	R202.C1A.A4A	W+10mm	W+9mm	W+31mm
Stainless Steel 304	Ø 50mm	1.5 mm	R202.S1C.B1A	R202.S1A.B4A	W+10mm	W+9mm	W+31mm

R202 Series

Internal thread



Tube Material	Tube Dia. (D)	Tube Thk. (t)	Shaft Dia. (d)		BF	E	L
			Ø12mm (M8x15)				
Steel, zinc plated	Ø 50mm	1.5 mm	R202.C1A.A1B		W+10mm	W+9mm	W+10mm
Stainless Steel 304	Ø 50mm	1.5 mm	R202.S1C.B1B		W+10mm	W+9mm	W+10mm



R211 Series

Poly-V Belt Powered Roller

■ **Ámbito de Aplicación / Application Area**

Comúnmente utilizado para aplicaciones de transporte de cajas de servicio liviano y mediano. El cabezal de accionamiento poly-V permite transmitir mayor par de giro que el del tipo O-belt. Adecuado para aplicaciones de alta velocidad.

*It is commonly used for light/medium duty carton conveying applications.
The poly-V belt drive head drive allows transferring higher torque than O-belt drive head.
Suitable for high speed applications.*

Rango de temperatura / *Temperature range*: - 5°C ~ + 40°C

■ **Características / Features**

- Funcionamiento silencioso gracias a la utilización de rodamientos de bolas de precisión.
- Buena protección contra polvo y agua gracias al diseño de la tapa de extremo.

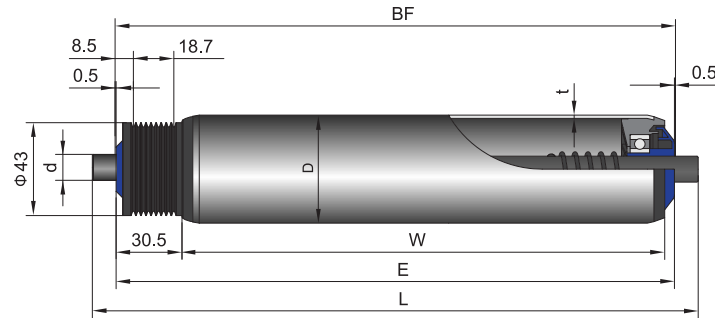
- *Low-noise running thanks to the use of precision ball bearings.*
- *Good protection against dirt and water thanks to the end cap design.*

■ **Especificaciones / Specifications**

- Bearing Housing: Polyamide, Black
- End Cap: Polyproylene, ETON Blue
- Precision Ball Bearing: Deep Groove Ball Bearing 6001
- Drive Head: Polyamide, Black

R211 Series

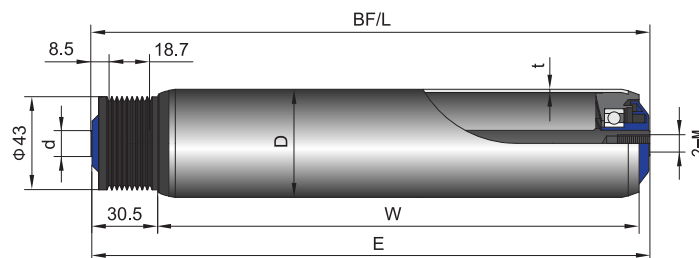
Spring loaded



Tube Material	Tube Dia. (D)	Tube Thk. (t)	Shaft Dia. (d)		BF	E	L
			Ø12mm	11Hex			
Steel, zinc plated	Ø 50mm	1.5 mm	R211.C1A.A1A	R211.C1A.A4A	W+36mm	W+35mm	W+57mm
Stainless Steel 304	Ø 50mm	1.5 mm	R211.S1C.B1A	R211.S1A.B4A	W+36mm	W+35mm	W+57mm
Stainless Steel 201	Ø 50mm	1.5 mm	R211.J1C.B1A	R211.J1A.B4A	W+36mm	W+35mm	W+57mm

R211 Series

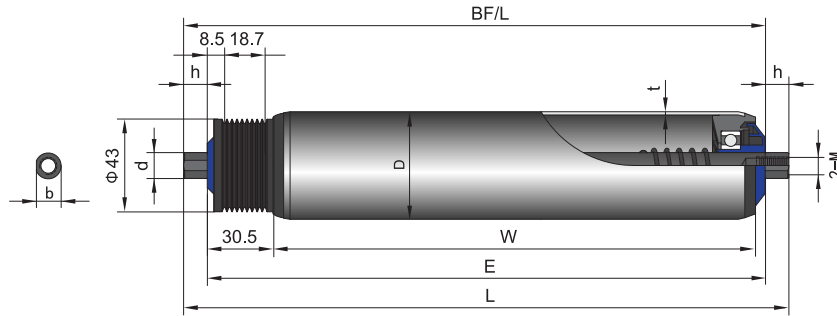
Internal thread



Tube Material	Tube Dia. (D)	Tube Thk. (t)	Shaft Dia. (d)	BF	E	L
			Ø12mm (M8X15)			
Steel, zinc plated	Ø 50mm	1.5 mm	R211.C1A.A1B	W+37mm	W+35mm	W+37mm
Stainless Steel 304	Ø 50mm	1.5 mm	R211.S1C.B1B	W+37mm	W+35mm	W+37mm
Stainless Steel 201	Ø 50mm	1.5 mm	R211.J1C.B1B	W+37mm	W+35mm	W+37mm

R211 Series

Internal thread + Milling flat



Tube Material	Tube Dia. (D)	Tube Thk. (t)	Shaft Dia. (d)	BF	E	L
			Ø12mm(b/h=11.5/11mm)(M8x15)			
Steel, zinc plated	Ø 50mm	1.5 mm	R211.C1A.A1E	W+57mm	W+35mm	W+57mm
Stainless Steel 304	Ø 50mm	1.5 mm	R211.S1C.B1E	W+57mm	W+35mm	W+57mm
Stainless Steel 201	Ø 50mm	1.5 mm	R211.J1C.B1E	W+57mm	W+35mm	W+57mm



R221



R222

R221/R222 Series

Steel Single/Double Sprocket Powered Roller

Ámbito de Aplicación / Application Area

Comúnmente utilizado para aplicaciones de transporte de cajas y pallets de servicio pesado. El cabezal de accionamiento mediante piñón soldado permite transmitir alto par de giro y provee una solución robusta. Adecuado para aplicaciones de baja velocidad y para aplicaciones en temperatura ambiente extrema.

It is commonly used for heavy duty carton and pallet conveying applications. The welded steel sprocket drive head drive allows transferring high torque and provides a robust solution. Suitable for low speed applications and for extreme ambient temperature applications.

Rango de temperatura / Temperature range: - 20°C ~ + 80°C

Características / Features

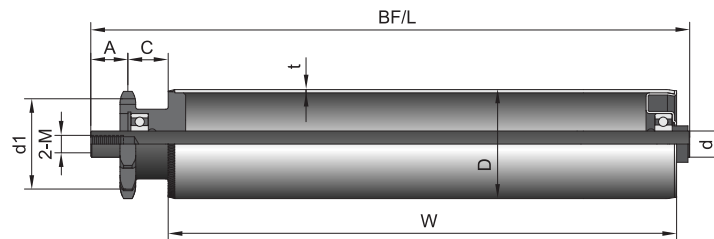
- Robusto y durable.
- Posee alta capacidad de carga gracias al uso de cajas de rodamientos de acero estampadas.
- Puede ser expuesto a temperatura ambiente extrema.
- Buena protección contra polvo y agua gracias al diseño de la tapa de extremo.
- *Robust and durable.*
- *High load capacity thanks to the use of steel stamped bearing housing.*
- *Can be exposed to extreme ambient temperature.*
- *Good protection against dirt and water thanks to the end cap design.*

Especificaciones / Specifications

- Bearing Housing: Steel, Zinc Plated
- End Cap: N/A
- Precision Ball Bearing: Deep Groove Ball Bearing 6001 / 6002 / 6004
- Sprocket: Steel, Zinc Plated

R221 Series

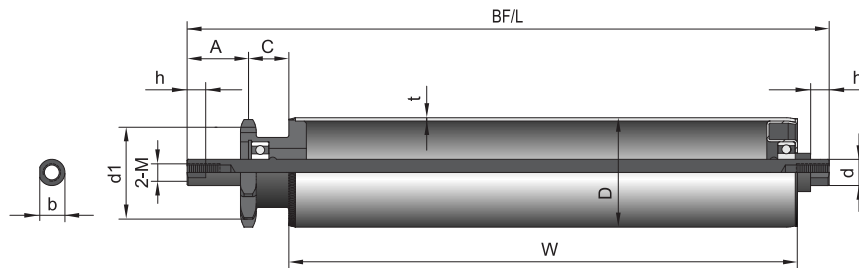
Internal thread



Tube Material	Tube Dia. (D)	Tube Thk. (t)	Shaft Dia. (d)			BF=L	Sprocket Type	A	C	d1
			Ø12mm (M8x15)	Ø15mm (M10x20)	Ø20mm (M12x25)					
Steel, zinc plated	Ø 50mm	1.5 mm	R221.C1A.A1B			W+41mm	08B11T	17mm	18.5mm	Ø45.08mm
Steel, zinc plated	Ø 50mm	2.0 mm	R221.C5A.A1B			W+41mm	08B11T	17mm	18.5mm	Ø45.08mm
Steel, zinc plated	Ø 60mm	2.0 mm	R221.C2A.A1B	R221.C2A.A2B		W+41mm	08B14T	17mm	18.5mm	Ø57.07mm
Steel, zinc plated	Ø 76mm	3.0 mm			R221.C3A.A3B	W+44mm	10A13T	20mm	18.5mm	Ø66.33mm
Stainless Steel 304	Ø 50mm	1.5 mm	R221.S1C.B1B			W+41mm	08B11T	17mm	18.5mm	Ø45.08mm
Stainless Steel 304	Ø 60mm	2.0 mm	R221.S2C.B1B	R221.S2C.B3B		W+41mm	08B14T	17mm	18.5mm	Ø57.07mm
Stainless Steel 304	Ø 76mm	3.0 mm			R221.S3C.B3B	W+44mm	10A13T	20 mm	18.5mm	Ø66.33mm
Stainless Steel 201	Ø 50mm	1.5 mm	R221.J1C.B1B			W+41mm	08B11T	17mm	18.5mm	Ø45.08mm

R221 Series

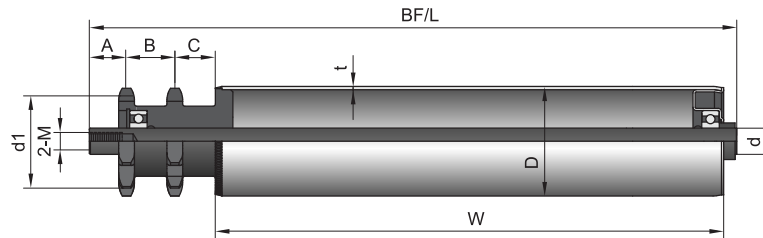
Internal thread + Milling flat



Tube Material	Tube Dia. (D)	Tube Thk. (t)	Shaft Dia. (d)			BF=L	Sprocket Type	A	C	d1
			Ø12mm (b/h=11.5/8.5) (M8x15)	Ø15mm (b/h=13/8.5) (M10x20)	Ø20mm (b/h=18/10.5) (M12x25)					
Steel, zinc plated	Ø 50mm	1.5 mm	R221.C1A.A1E			W+57mm	08B11T	25mm	18.5mm	Ø45.08mm
Steel, zinc plated	Ø 50mm	2.0 mm	R221.C5A.A1E			W+57mm	08B11T	25mm	18.5mm	Ø45.08mm
Steel, zinc plated	Ø 60mm	2.0 mm	R221.C2A.A1E	R221.C2A.A2E		W+57mm	08B14T	25mm	18.5mm	Ø57.07mm
Steel, zinc plated	Ø 76mm	3.0 mm			R221.C3A.A3E	W+64mm	10A13T	30mm	18.5mm	Ø66.33mm
Stainless Steel 304	Ø 50mm	1.5 mm	R221.S1C.B1E			W+57mm	08B11T	25mm	18.5mm	Ø45.08mm
Stainless Steel 304	Ø 60mm	2.0 mm	R221.S2C.B1E	R221.S2C.B3E		W+57mm	08B14T	25mm	18.5mm	Ø57.07mm
Stainless Steel 304	Ø 76mm	3.0 mm			R221.S3C.B3E	W+64mm	10A13T	30 mm	18.5mm	Ø66.33mm
Stainless Steel 201	Ø 50mm	1.5 mm	R221.J1C.B1E			W+57mm	08B11T	25mm	18.5mm	Ø45.08mm

R222 Series

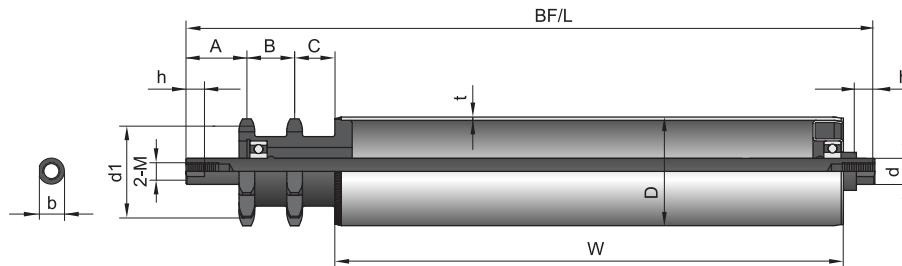
Internal thread



Tube Material	Tube Dia. (D)	Tube Thk. (t)	Shaft Dia. (d)			BF=L	Sprocket Type	A	C	d1
			Ø12mm (M8x15)	Ø15mm (M10x20)	Ø20mm (M12x25)					
Steel, zinc plated	Ø 50mm	1.5 mm	R222.C1A.A1B			W+63mm	08B11T	17mm	18.5mm	Ø45.08mm
Steel, zinc plated	Ø 50mm	2.0 mm	R222.C5A.A1B			W+63mm	08B11T	17mm	18.5mm	Ø45.08mm
Steel, zinc plated	Ø 60mm	2.0 mm	R222.C2A.A1B	R222.C2A.A2E		W+63mm	08B14T	17mm	18.5mm	Ø57.07mm
Steel, zinc plated	Ø 76mm	3.0 mm			R222.C3A.A3B	W+69mm	10A13T	20mm	18.5mm	Ø66.33mm
Steel, zinc plated	Ø 89mm	3.0 mm			R222.C6A.A3B	W+69mm	10B15T	20mm	18.5mm	Ø76.35mm
Stainless Steel 304	Ø 50mm	1.5 mm	R222.S1C.B1B			W+63mm	08B11T	17mm	18.5mm	Ø45.08mm
Stainless Steel 304	Ø 60mm	2.0 mm	R222.S2C.B1B	R222.S2C.B2B		W+63mm	08B14T	17mm	18.5mm	Ø57.07mm
Stainless Steel 304	Ø 76mm	3.0 mm			R222.S3C.B3B	W+69mm	10A13T	20mm	18.5mm	Ø66.33mm
Stainless Steel 201	Ø 50mm	1.5 mm	R222.J1C.B1B			W+63mm	08B11T	17mm	18.5mm	Ø45.08mm

R222 Series

Internal thread + Milling flat



Tube Material	Tube Dia. (D)	Tube Thk. (t)	Shaft Dia. (d)			BF=L	Sprocket Type	A	C	d1
			Ø12mm (b/h=11.5/8.5) (M8x15)	Ø15mm (b/h=13/8.5) (M10x20)	Ø20mm (b/h=18/10.5) (M12x25)					
Steel, zinc plated	Ø 50mm	1.5 mm	R222.C1A.A1E			W+79mm	08B11T	25mm	18.5mm	Ø45.08mm
Steel, zinc plated	Ø 50mm	2.0 mm	R222.C5A.A1E			W+79mm	08B11T	25mm	18.5mm	Ø45.08mm
Steel, zinc plated	Ø 60mm	2.0 mm	R222.C2A.A1E	R222.C2A.A2E		W+79mm	08B14T	25mm	18.5mm	Ø57.07mm
Steel, zinc plated	Ø 76mm	3.0 mm			R222.C3A.A3E	W+89mm	10A13T	30mm	18.5mm	Ø66.33mm
Steel, zinc plated	Ø 89mm	3.0 mm			R222.C6A.A3E	W+89mm	10B15T	30mm	18.5mm	Ø76.35mm
Stainless Steel 304	Ø 50mm	1.5 mm	R222.S1C.B1E			W+79mm	08B11T	25mm	18.5mm	Ø45.08mm
Stainless Steel 304	Ø 60mm	2.0 mm	R222.S2C.B1E	R222.S2C.B2E		W+79mm	08B14T	25mm	18.5mm	Ø57.07mm
Stainless Steel 304	Ø 76mm	3.0 mm			R222.S3C.B3E	W+89mm	10A13T	30mm	18.5mm	Ø66.33mm
Stainless Steel 201	Ø 50mm	1.5 mm	R222.J1C.B1E			W+79mm	08B11T	25mm	18.5mm	Ø45.08mm



R231/R232 Series

Steel Single/Double Sprocket Adjustable Accumulation Powered Roller

Ámbito de Aplicación / Application Area

Comúnmente utilizado para aplicaciones de transporte de cajas o contenedores de servicio mediano. El cabezal de accionamiento mediante piñón soldado permite transmitir alto par de giro y provee una solución robusta. Es adecuado para acumular el producto en tramos de la línea destinados a generar un pulmón.

It is commonly used for medium duty carton and container conveying applications.

The welded steel sprocket drive head drive allows transferring high torque and provides a robust solution. Suitable to accumulate the product in buffer sections.

Características / Features

- Robusto y durable.
- Posee alta capacidad de carga gracias al uso de cajas de rodamientos de acero estampadas.
- Buena protección contra polvo y agua gracias al diseño de la tapa de extremo.
- La presión de acumulación puede ser regulada dependiendo del peso del producto a transportar.

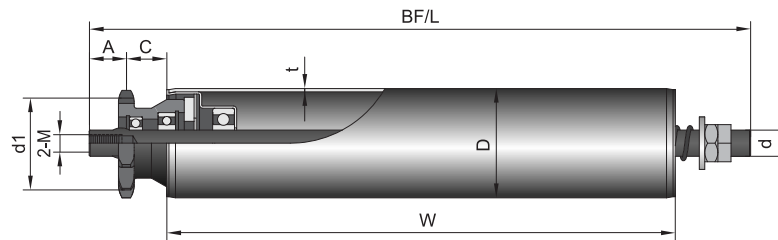
- *Robust and durable.*
- *High load capacity thanks to the use of steel stamped bearing housing.*
- *Good protection against dirt and water thanks to the end cap design.*
- *Accumulation pressure can be adjusted depending on the product weight to be conveyed.*

Especificaciones / Specifications

- Bearing Housing: Steel, Zinc Plated
- End Cap: N/A
- Precision Ball Bearing: Deep Groove Ball Bearing 6001 / 6002 / 6004
- Sprocket: Steel, Zinc Plated

R231 Series

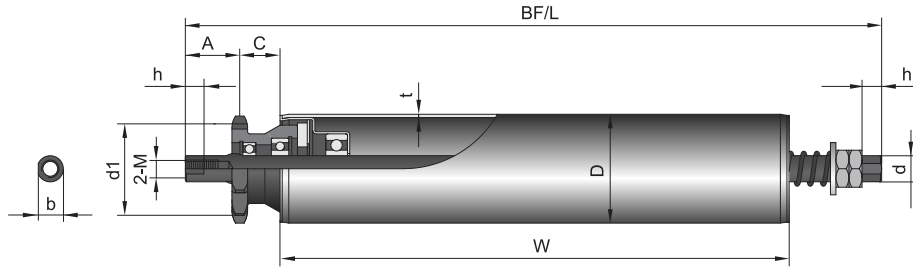
Internal thread



Tube Material	Tube Dia. (D)	Tube Thk. (t)	Shaft Dia. (d)			BF=L	Sprocket Type	A	C	d1
			Ø12mm (b/h=11.5/8.5) (M8x15)	Ø15mm (b/h=13/8.5) (M10x20)	Ø20mm (b/h=18/10.5) (M12x25)					
Steel, zinc plated	Ø 50mm	1.5 mm	R231.C1A.A1B			W+70mm	08B11T	17mm	18.5mm	Ø45.08mm
Steel, zinc plated	Ø 60mm	2.0 mm	R231.C2A.A1B	R231.C2A.A2B		W+70mm	08B14T	17mm	18.5mm	Ø57.07mm
Steel, zinc plated	Ø 76mm	3.0 mm			R231.C3A.A3B	W+78mm	10A13T	20mm	18.5mm	Ø66.33mm
Stainless Steel 304	Ø 50mm	1.5 mm	R231.S1C.B1B			W+70mm	08B11T	17mm	18.5mm	Ø45.08mm
Stainless Steel 304	Ø 60mm	2.0 mm	R231.S2C.B1B	R231.S2C.B2B		W+70mm	08B14T	17mm	18.5mm	Ø57.07mm
Stainless Steel 304	Ø76mm	3.0 mm			R231.S3C.B3B	W+78mm	10A13T	20mm	18.5mm	Ø66.33mm
Stainless Steel 201	Ø 50mm	1.5 mm	R231.J1C.B1B			W+70mm	08B11T	17mm	18.5mm	Ø45.08mm

R231 Series

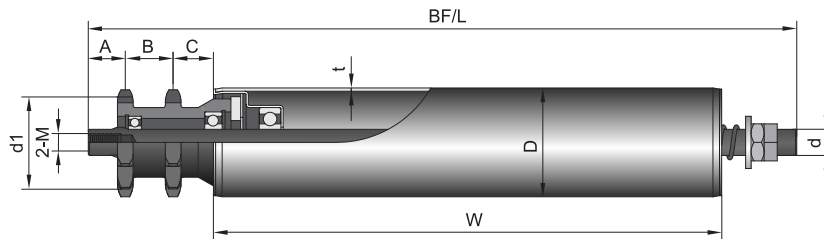
Internal thread + Milling flat



Tube Material	Tube Dia. (D)	Tube Thk. (t)	Shaft Dia. (d)			BF=L	Sprocket Type	A	C	d1
			Ø12mm (b/h=11.5/8.5) (M8x15)	Ø15mm (b/h=13/8.5) (M10x20)	Ø20mm (b/h=18/10.5) (M12x25)					
Steel, zinc plated	Ø 50mm	1.5 mm	R231.C1A.A1E			W+86mm	08B11T	25mm	18.5mm	Ø45.08mm
Steel, zinc plated	Ø 60mm	2.0 mm	R231.C2A.A1E	R231.C2A.A2E		W+86mm	08B14T	25mm	18.5mm	Ø57.07mm
Steel, zinc plated	Ø 76mm	3.0 mm			R231.C3A.A3E	W+98mm	10A13T	30mm	18.5mm	Ø66.33mm
Stainless Steel 304	Ø 50mm	1.5 mm	R231.S1C.B1E			W+86mm	08B11T	25mm	18.5mm	Ø45.08mm
Stainless Steel 304	Ø 60mm	2.0 mm	R231.S2C.B1E	R231.S2C.B2E		W+86mm	08B14T	25mm	18.5mm	Ø57.07mm
Stainless Steel 304	Ø76mm	3.0 mm			R231.S3C.B3E	W+98mm	10A13T	30mm	18.5mm	Ø66.33mm
Stainless Steel 201	Ø 50mm	1.5 mm	R231.J1C.B1E			W+86mm	08B11T	25mm	18.5mm	Ø45.08mm

R232 Series

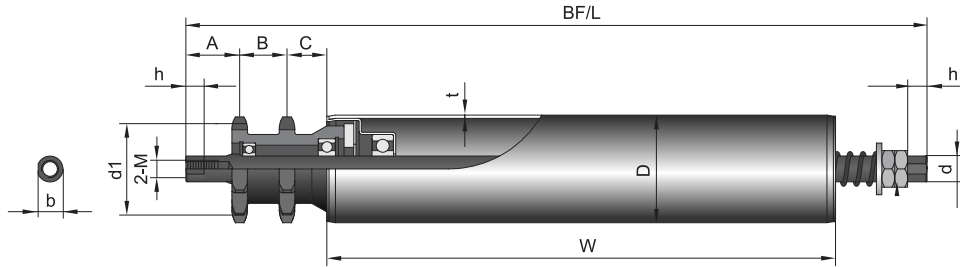
Internal thread



Tube Material	Tube Dia. (D)	Tube Thk. (t)	Shaft Dia. (d)			BF=L	Sprocket Type	A	B	C	d1
			Ø12mm (b/h=11.5/8.5) (M8x15)	Ø15mm (b/h=13/8.5) (M10x20)	Ø20mm (b/h=18/10.5) (M12x25)						
Steel, zinc plated	Ø 50mm	1.5 mm	R232.C1A.A1B			W+92mm	08B11T	17mm	22mm	18.5mm	Ø45.08mm
Steel, zinc plated	Ø 60mm	2.0 mm	R232.C2A.A1B	R232.C2A.A2B		W+92mm	08B14T	17mm	22mm	18.5mm	Ø57.07mm
Steel, zinc plated	Ø 76mm	3.0 mm			R232.C3A.A3B	W+103mm	10A13T	20mm	25mm	18.5mm	Ø66.33mm
Stainless Steel 304	Ø 50mm	1.5 mm	R232.S1C.B1B			W+92mm	08B11T	17mm	22mm	18.5mm	Ø45.08mm
Stainless Steel 304	Ø 60mm	2.0 mm	R232.S2C.B1B	R232.S2C.B2B		W+92mm	08B14T	17mm	22mm	18.5mm	Ø57.07mm
Stainless Steel 304	Ø76mm	3.0 mm			R232.S3C.B3B	W+103mm	10A13T	20mm	25mm	18.5mm	Ø66.33mm
Stainless Steel 201	Ø 50mm	1.5 mm	R232.J1C.B1B			W+92mm	08B11T	17mm	22mm	18.5mm	Ø45.08mm

R232 Series

Internal thread + Milling flat



Tube Material	Tube Dia. (D)	Tube Thk. (t)	Shaft Dia. (d)			BF=L	Sprocket Type	A	B	C	d1
			Ø12mm (b/h=11.5/8.5) (M8x15)	Ø15mm (b/h=13/8.5) (M10x20)	Ø20mm (b/h=18/10.5) (M12x25)						
Steel, zinc plated	Ø 50mm	1.5 mm	R232.C1A.A1E			W+108mm	08B11T	25mm	22mm	18.5mm	Ø45.08mm
Steel, zinc plated	Ø 60mm	2.0 mm	R232.C2A.A1E	R232.C2A.A2E		W+108mm	08B14T	25mm	22mm	18.5mm	Ø57.07mm
Steel, zinc plated	Ø 76mm	3.0 mm			R232.C3A.A3E	W+123mm	10A13T	30mm	25mm	18.5mm	Ø66.33mm
Stainless Steel 304	Ø 50mm	1.5 mm	R232.S1C.B1E			W+108mm	08B11T	25mm	22mm	18.5mm	Ø45.08mm
Stainless Steel 304	Ø 60mm	2.0 mm	R232.S2C.B1E	R232.S2C.B2E		W+108mm	08B14T	25mm	22mm	18.5mm	Ø57.07mm
Stainless Steel 304	Ø76mm	3.0 mm			R232.S3C.B3E	W+123mm	10A13T	30mm	25mm	18.5mm	Ø66.33mm
Stainless Steel 201	Ø 50mm	1.5 mm	R232.J1C.B1E			W+108mm	08B11T	25mm	22mm	18.5mm	Ø45.08mm



R301 Series

Universal Tapered Sleeve Gravity Roller

Ámbito de Aplicación / *Application Area*

Comúnmente utilizado para aplicaciones de transporte de cajas en curvas de servicio liviano y mediano. Adecuado para aplicaciones de alta velocidad.

*It is commonly used for light/medium duty carton conveying applications.
Suitable for high speed applications.*

Rango de temperatura / *Temperature range*: - 5°C ~ + 40°C

Características / *Features*

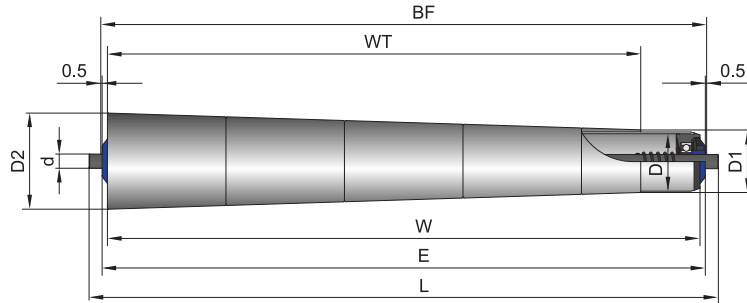
- Funcionamiento silencioso gracias a la utilización de rodamientos de bolas de precisión.
- Los elementos cónicos de polímero son resistentes a la abrasión.
- Buena protección contra polvo y agua gracias al diseño de la tapa de extremo.
- *Low-noise running thanks to the use of precision ball bearings.*
- *The tapered elements made of polymer have good resistance to abrasion.*
- *Good protection against dirt and water thanks to the end cap design.*

Especificaciones / *Specifications*

- Bearing Housing: Polyamide, Black
- End Cap: ETON Blue
- Precision Ball Bearing: Deep Groove Ball Bearing 6001

R301 Series

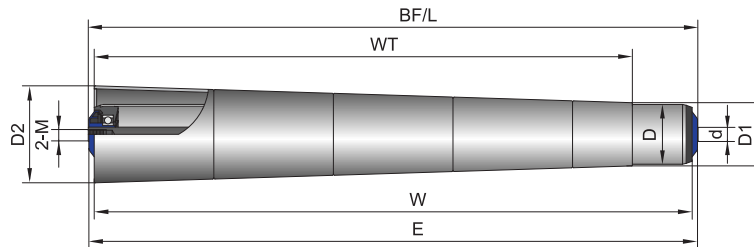
Spring loaded



Tube Material	Tube Dia. (D)	Tube Thk. (t)	Shaft Dia. (d)		WT	D1	D2	BF	E	L
			Ø12mm	11Hex						
Steel, Zinc Plated Polymer Tapered Sleeve	Ø 50mm	1.5 mm	R301.H1C.A1A	R301.H1C.A4A	250mm	Ø52.9mm	Ø68.6mm	W+10mm	W+9mm	W+31mm
					300mm	Ø56mm	Ø74.9mm			
					350mm	Ø52.9mm	Ø74.9mm			
					400mm	Ø56mm	Ø81.1mm			
					450mm	Ø52.9mm	Ø81.1mm			
					500mm	Ø56mm	Ø87.4mm			
					550mm	Ø52.9mm	Ø87.4mm			
					600mm	Ø56mm	Ø93.7mm			
					650mm	Ø52.9mm	Ø93.7mm			
					700mm	Ø56mm	Ø100.0mm			
					750mm	Ø52.9mm	Ø100.0mm			
					800mm	Ø56mm	Ø106.3mm			
					850mm	Ø52.9mm	Ø106.3mm			

R301 Series

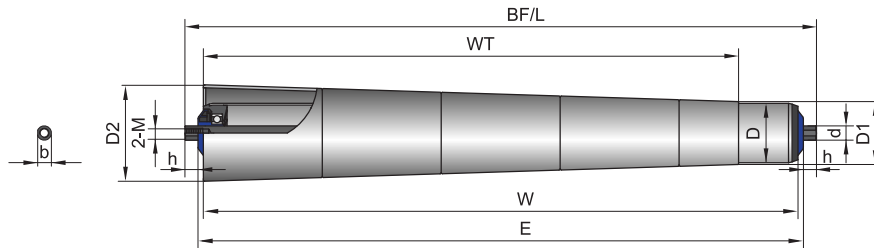
Internal thread



Tube Material	Tube Dia. (D)	Tube Thk. (t)	Shaft Dia. (d)	WT	D1	D2	BF	E	L
			Ø12mm (M8x15)						
Steel, Zinc Plated Polymer Tapered Sleeve	Ø 50mm	1.5 mm	R301.H1C.A1B	250mm	Ø52.9mm	Ø68.6mm	W+11mm	W+9mm	W+11mm
				300mm	Ø56mm	Ø74.9mm			
				350mm	Ø52.9mm	Ø74.9mm			
				400mm	Ø56mm	Ø81.1mm			
				450mm	Ø52.9mm	Ø81.1mm			
				500mm	Ø56mm	Ø87.4mm			
				550mm	Ø52.9mm	Ø87.4mm			
				600mm	Ø56mm	Ø93.7mm			
				650mm	Ø52.9mm	Ø93.7mm			
				700mm	Ø56mm	Ø100.0mm			
				750mm	Ø52.9mm	Ø100.0mm			
				800mm	Ø56mm	Ø106.3mm			
				850mm	Ø52.9mm	Ø106.3mm			

R301 Series

Internal thread + Milling flat



Tube Material	Tube Dia. (D)	Tube Thk. (t)	Shaft Dia. (d)	WT	D1	D2	BF	E	L
			Ø12mm (M8x15)						
Steel, Zinc Plated Polymer Tapered Sleeve	Ø 50mm	1.5 mm	R301.H1C.A1E	250mm	Ø52.9mm	Ø68.6mm	W+31mm	W+9mm	W+31mm
				300mm	Ø56mm	Ø74.9mm			
				350mm	Ø52.9mm	Ø74.9mm			
				400mm	Ø56mm	Ø81.1mm			
				450mm	Ø52.9mm	Ø81.1mm			
				500mm	Ø56mm	Ø87.4mm			
				550mm	Ø52.9mm	Ø87.4mm			
				600mm	Ø56mm	Ø93.7mm			
				650mm	Ø52.9mm	Ø93.7mm			
				700mm	Ø56mm	Ø100.0mm			
				750mm	Ø52.9mm	Ø100.0mm			
				800mm	Ø56mm	Ø106.3mm			
850mm	Ø52.9mm	Ø106.3mm							



R321 Series

Poly-V Belt Tapered Sleeve Powered Roller

Ámbito de Aplicación / *Application Area*

Comúnmente utilizado para aplicaciones de transporte de cajas en curvas de servicio liviano y mediano. El cabezal de accionamiento poly-V permite transmitir mayor par de giro que el del tipo O-belt. Adecuado para aplicaciones de alta velocidad.

*It is commonly used for light/medium duty carton conveying applications.
The poly-V belt drive head drive allows transferring higher torque than O-belt drive head.
Suitable for high speed applications.*

Rango de temperatura / *Temperature range*: - 5°C ~ + 40°C

Características / *Features*

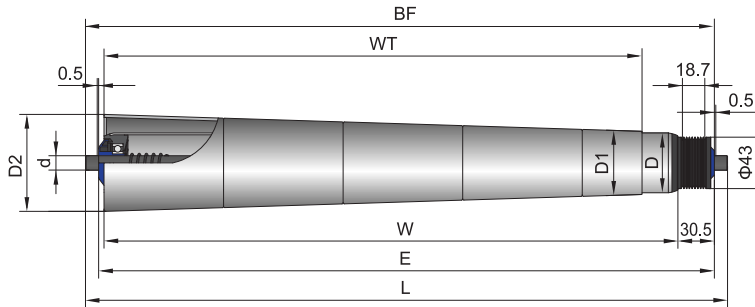
- Funcionamiento silencioso gracias a la utilización de rodamientos de bolas de precisión.
- Los elementos cónicos de polímero son resistentes a la abrasión.
- Buena protección contra polvo y agua gracias al diseño de la tapa de extremo.
- *Low-noise running thanks to the use of precision ball bearings.*
- *The tapered elements made of polymer have good resistance to abrasion.*
- *Good protection against dirt and water thanks to the end cap design.*

Especificaciones / *Specifications*

- Bearing Housing: Polyamide, Black
- End Cap: ETON Blue
- Precision Ball Bearing: Deep Groove Ball Bearing 6001
- Drive Head: Polyamide, Black

R321 Series

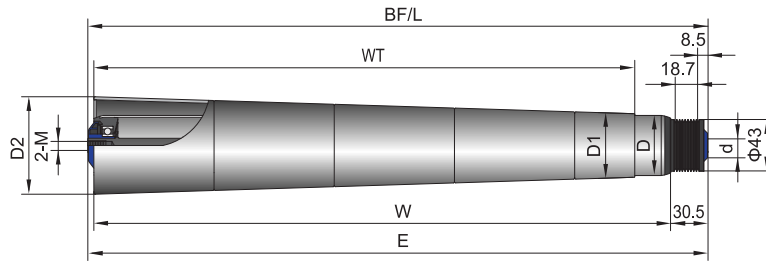
Spring loaded



Tube Material	Tube Dia. (D)	Tube Thk. (t)	Shaft Dia. (d)		WT	D1	D2	BF	E	L
			Ø12mm	11Hex						
Steel, Zinc Plated Polymer Tapered Sleeve	Ø 50mm	1.5 mm	R321.H1C.A1A	R321.H1C.A4A	250mm	Ø52.9mm	Ø68.6mm	W+36mm	W+35mm	W+57mm
					300mm	Ø56mm	Ø74.9mm			
					350mm	Ø52.9mm	Ø74.9mm			
					400mm	Ø56mm	Ø81.1mm			
					450mm	Ø52.9mm	Ø81.1mm			
					500mm	Ø56mm	Ø87.4mm			
					550mm	Ø52.9mm	Ø87.4mm			
					600mm	Ø56mm	Ø93.7mm			
					650mm	Ø52.9mm	Ø93.7mm			
					700mm	Ø56mm	Ø100.0mm			
					750mm	Ø52.9mm	Ø100.0mm			
					800mm	Ø56mm	Ø106.3mm			
850mm	Ø52.9mm	Ø106.3mm								

R321 Series

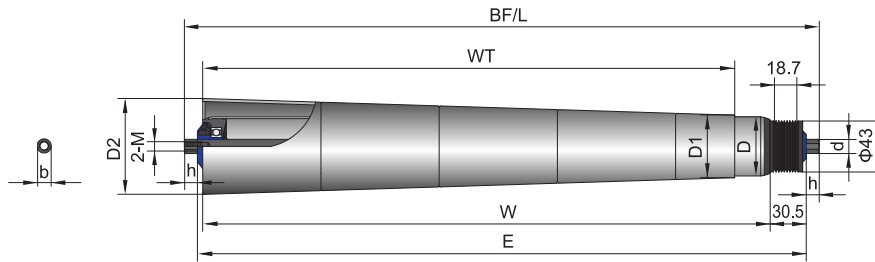
Internal thread



Tube Material	Tube Dia. (D)	Tube Thk. (t)	Shaft Dia. (d)	WT	D1	D2	BF	E	L
			Ø12mm (M8x15)						
Steel, Zinc Plated Polymer Tapered Sleeve	Ø 50mm	1.5 mm	R321.H1C.A1B	250mm	Ø52.9mm	Ø68.6mm	W+37mm	W+35mm	W+37mm
				300mm	Ø56mm	Ø74.9mm			
				350mm	Ø52.9mm	Ø74.9mm			
				400mm	Ø56mm	Ø81.1mm			
				450mm	Ø52.9mm	Ø81.1mm			
				500mm	Ø56mm	Ø87.4mm			
				550mm	Ø52.9mm	Ø87.4mm			
				600mm	Ø56mm	Ø93.7mm			
				650mm	Ø52.9mm	Ø93.7mm			
				700mm	Ø56mm	Ø100.0mm			
				750mm	Ø52.9mm	Ø100.0mm			
				800mm	Ø56mm	Ø106.3mm			
850mm	Ø52.9mm	Ø106.3mm							

R321 Series

Internal thread + Milling flat



Tube Material	Tube Dia. (D)	Tube Thk. (t)	Shaft Dia. (d)		WT	D1	D2	BF	E	L
			Ø12mm (b/h=11.5/11mm) (M8x15)							
Steel, Zinc Plated Polymer Tapered Sleeve	Ø 50mm	1.5 mm	R321.H1C.A1E		250mm	Ø52.9mm	Ø68.6mm	W+57mm	W+35mm	W+57mm
					300mm	Ø56mm	Ø74.9mm			
					350mm	Ø52.9mm	Ø74.9mm			
					400mm	Ø56mm	Ø81.1mm			
					450mm	Ø52.9mm	Ø81.1mm			
					500mm	Ø56mm	Ø87.4mm			
					550mm	Ø52.9mm	Ø87.4mm			
					600mm	Ø56mm	Ø93.7mm			
					650mm	Ø52.9mm	Ø93.7mm			
					700mm	Ø56mm	Ø100.0mm			
					750mm	Ø52.9mm	Ø100.0mm			
					800mm	Ø56mm	Ø106.3mm			
					850mm	Ø52.9mm	Ø106.3mm			



R331 Series

Sprocket Steel Tapered Sleeve Powered Roller

Ámbito de Aplicación / Application Area

Comúnmente utilizado para aplicaciones de transporte de cajas o contenedores en curvas de servicio liviano/mediano. El cabezal de accionamiento mediante piñón soldado permite transmitir alto par de giro y provee una solución robusta. Adecuado para aplicaciones de baja velocidad.

It is commonly used for light/medium duty carton and container conveying applications. The welded steel sprocket drive head drive allows transferring high torque and provides a robust solution. Suitable for low speed applications.

Rango de temperatura / Temperature range: - 5°C ~ + 40°C

Características / Features

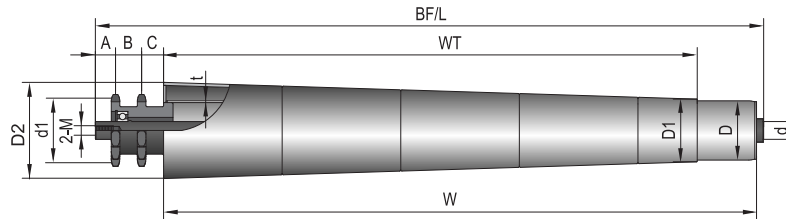
- Robusto y durable.
- Los elementos cónicos de polímero son resistentes a la abrasión.
- Buena protección contra polvo y agua gracias al diseño de la tapa de extremo.
- *Robust and durable.*
- *The tapered elements made of polymer have good resistance to abrasion.*
- *Good protection against dirt and water thanks to the end cap design.*

Especificaciones / Specifications

- Bearing Housing: Polyamide, Black
- End Cap: ETON Blue
- Precision Ball Bearing: Deep Groove Ball Bearing 6001

R331 Series

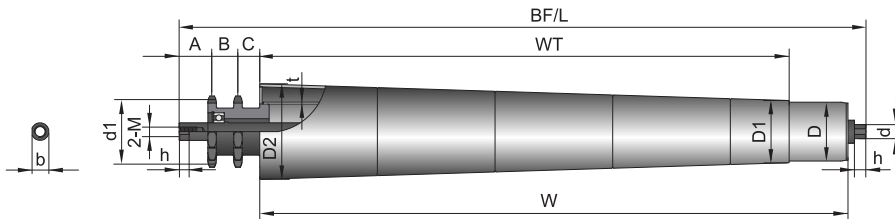
Internal thread



Tube Material	Tube Dia. (D)	Tube Thk. (t)	Shaft Dia. (d)	WT	D1	D2	BF=L	Sprocket Type	A	B	C	d1
			Ø12mm (M8x15)									
Steel, Zinc Plated Polymer Tapered Sleeve	Ø 50mm	1.5 mm	R331.C1B.A1B	250mm	Ø52.9mm	Ø68.6mm	W+63mm	08B11T	17mm	22mm	18.5mm	Ø45.08 mm
				300mm	Ø56mm	Ø74.9mm						
				350mm	Ø52.9mm	Ø74.9mm						
				400mm	Ø56mm	Ø81.1mm						
				450mm	Ø52.9mm	Ø81.1mm						
				500mm	Ø56mm	Ø87.4mm						
				550mm	Ø52.9mm	Ø87.4mm						
				600mm	Ø56mm	Ø93.7mm						
				650mm	Ø52.9mm	Ø93.7mm						
				700mm	Ø56mm	Ø100.0mm						
				750mm	Ø52.9mm	Ø100.0mm						
				800mm	Ø56mm	Ø106.3mm						
				850mm	Ø52.9mm	Ø106.3mm						

R331 Series

Internal thread + Milling flat



Tube Material	Tube Dia. (D)	Tube Thk. (t)	Shaft Dia. (d)	WT	D1	D2	BF=L	Sprocket Type	A	B	C	d1
			Ø12mm (M8x15)									
Steel, Zinc Plated Polymer Tapered Sleeve	Ø 50mm	1.5 mm	R331.C1B.A1E	250mm	Ø52.9mm	Ø68.6mm	W+79mm	08B11T	25mm	22mm	18.5mm	Ø45.08 mm
				300mm	Ø56mm	Ø74.9mm						
				350mm	Ø52.9mm	Ø74.9mm						
				400mm	Ø56mm	Ø81.1mm						
				450mm	Ø52.9mm	Ø81.1mm						
				500mm	Ø56mm	Ø87.4mm						
				550mm	Ø52.9mm	Ø87.4mm						
				600mm	Ø56mm	Ø93.7mm						
				650mm	Ø52.9mm	Ø93.7mm						
				700mm	Ø56mm	Ø100.0mm						
				750mm	Ø52.9mm	Ø100.0mm						
				800mm	Ø56mm	Ø106.3mm						
				850mm	Ø52.9mm	Ø106.3mm						



Alutipo SRL
Web: www.alutipo.com
Email: info@alutipo.com

